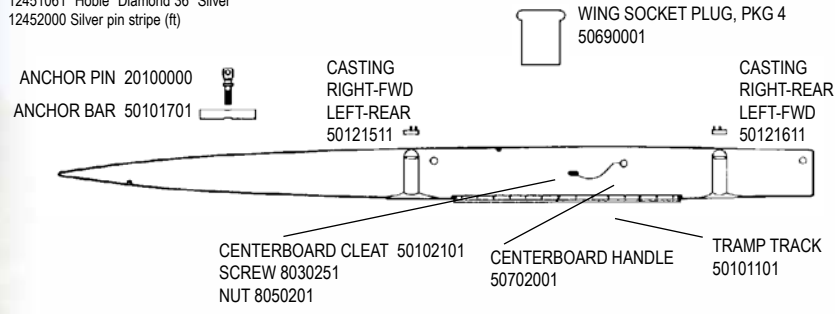


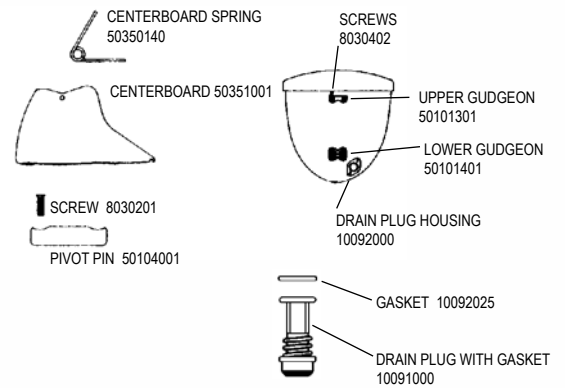
HOBIE 17 / 17 SPORT

REPLACEMENT HULL WHITE - LEFT 50101001
 REPLACEMENT HULL WHITE - RIGHT 50102001

Decals -
 12451130 "Hobie" Red Each
 12451061 "Hobie" Diamond 36" Silver
 12452000 Silver pin stripe (ft)

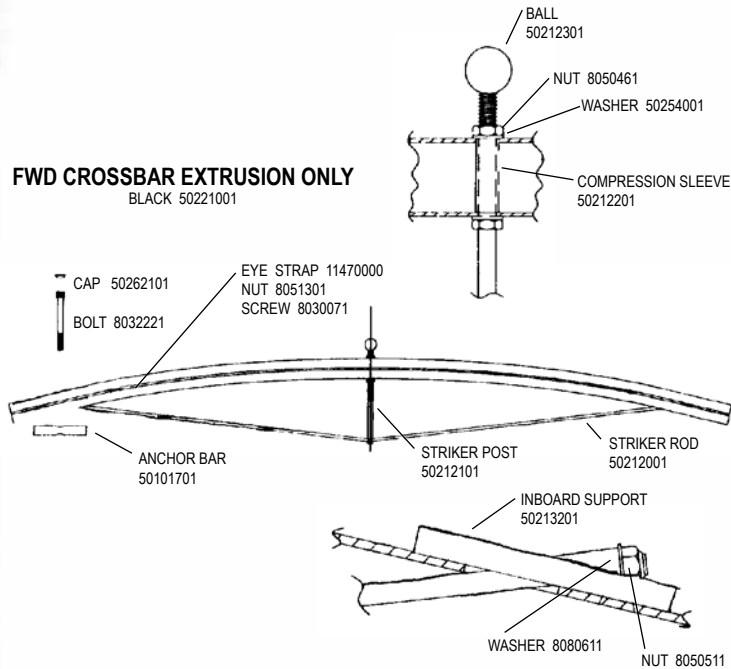


H17 HULL/DECK



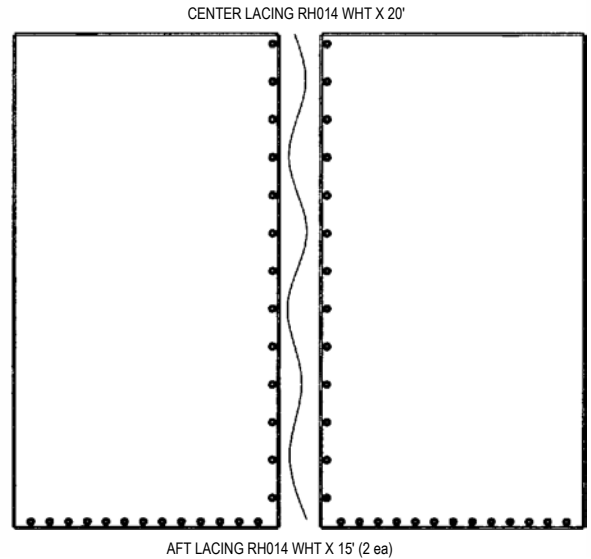
FWD CROSSBAR EXTRUSION ONLY

BLACK 50221001



H17 TRAMPOLINE

COMPLETE TRAMPOLINES (Does not include lace line)
 5067XXXX
 (XXXX = Color / See parts list for available options)

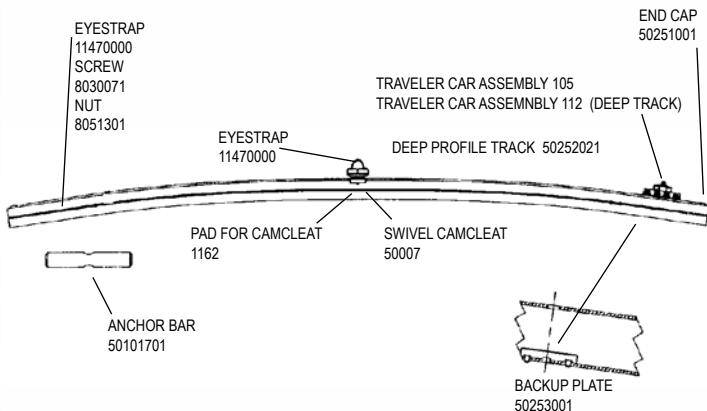
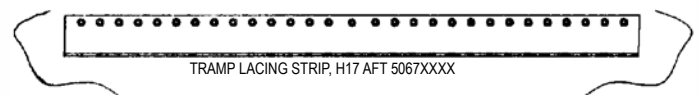


REAR CROSSBAR EXTRUSION ONLY

BLACK 50261001

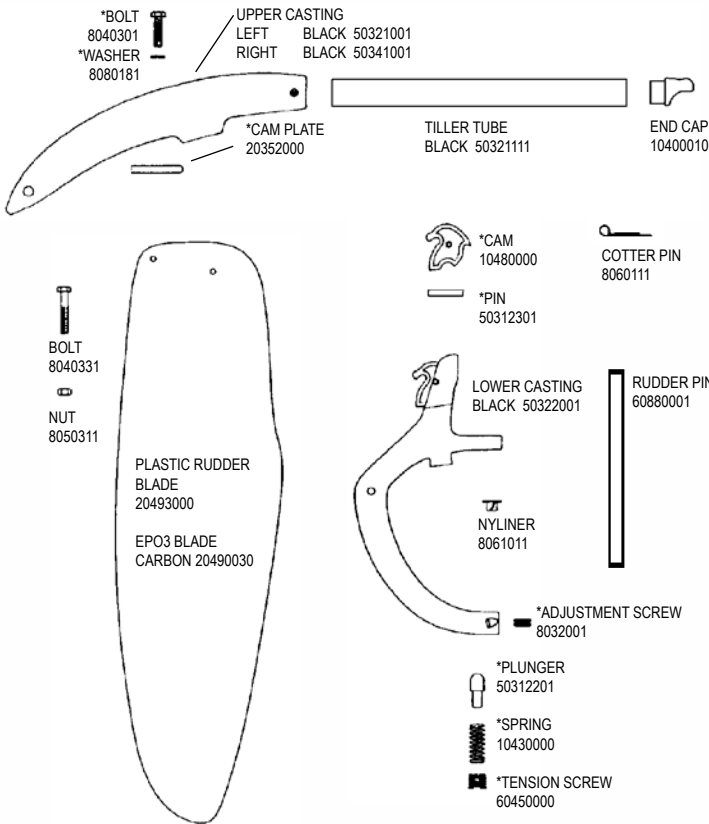
CAP 50262101
 BOLT 8032221

NOTE: ALL HOBIE 17 MODELS SINCE 1995
 HAVE A DEEP PROFILE TRAVELER TRACK THAT
 ACCEPTS THE 106 OR 112 TRAVELER CAR



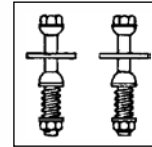
H17 RUDDER ASSEMBLY

* = SUB ASSEMBLY PART / INCLUDED WITH CASTING



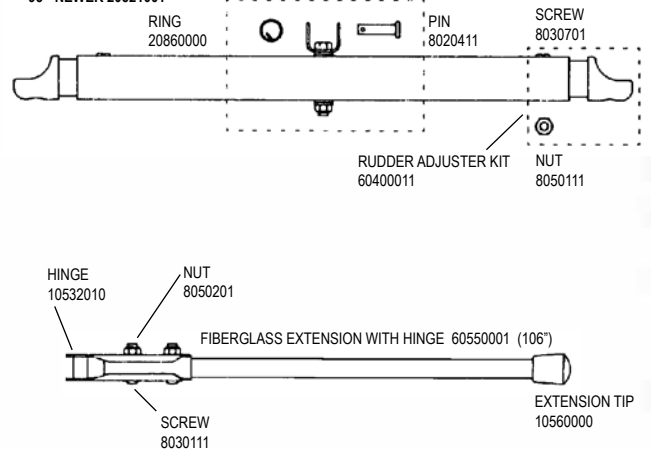
H17 TILLER

TILLER CONNECTOR KIT 11520005



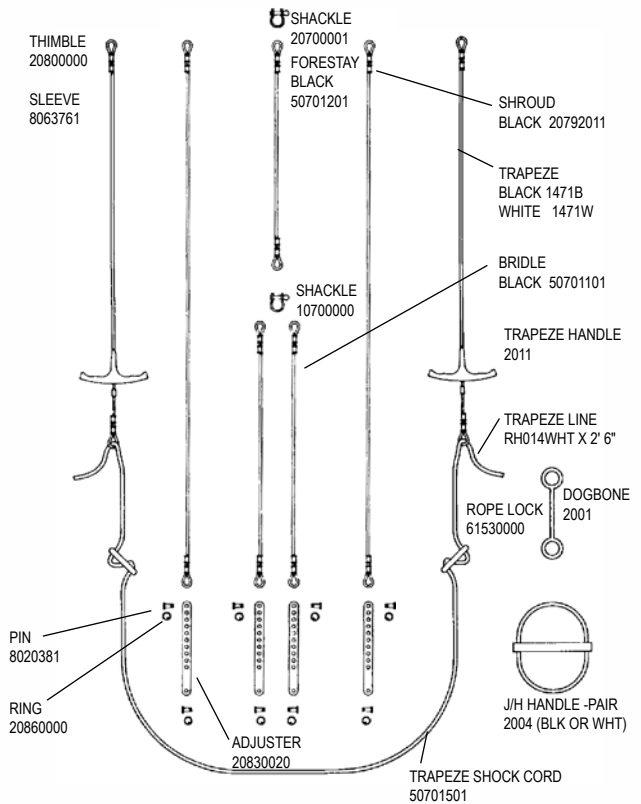
TILLER CROSSBAR BLACK 20520011
'95 - NEWER 20521001

HINGE YOKE ASSY. 3205



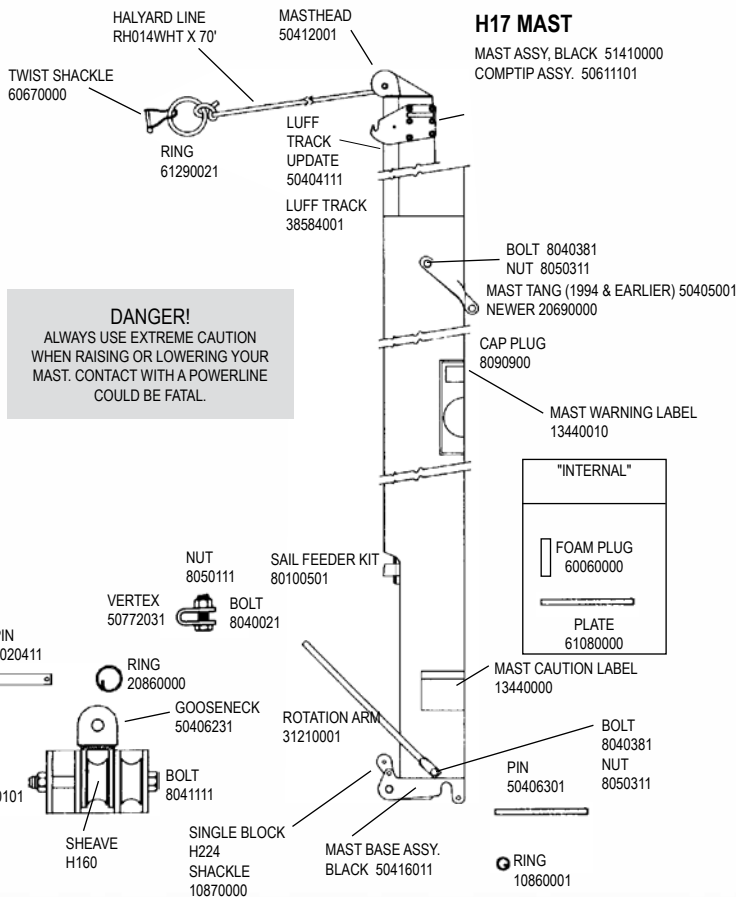
H17 WIRES

(See following page for 17 Sport-Specific Wires)



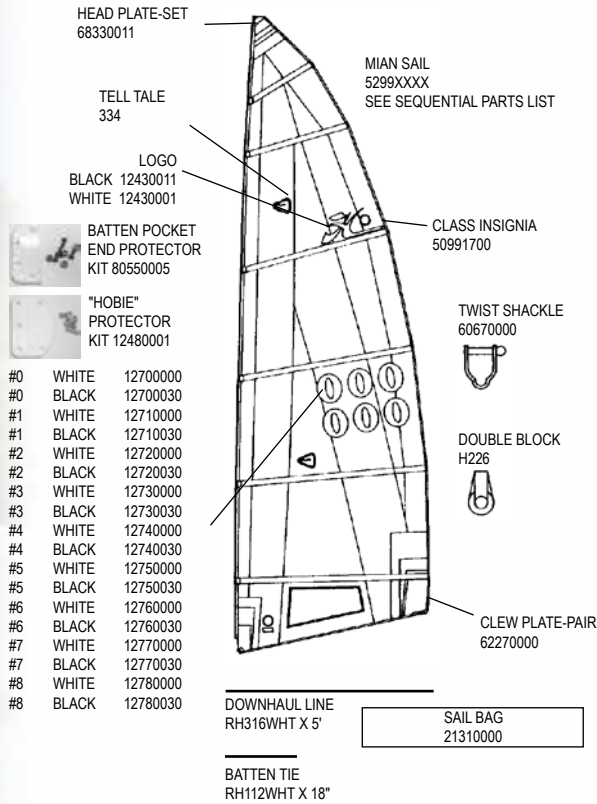
H17 MAST

MAST ASSY. BLACK 51410000
COMPTIP ASSY. 50611101

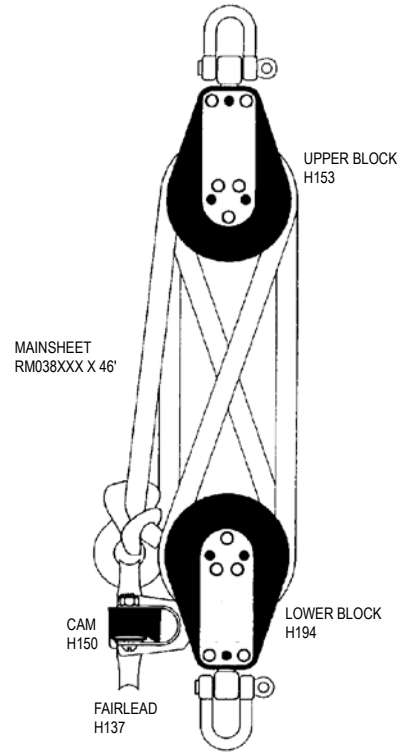


DANGER!
ALWAYS USE EXTREME CAUTION WHEN RAISING OR LOWERING YOUR MAST. CONTACT WITH A POWERLINE COULD BE FATAL.

H17 SAIL



H17 BLOCK SET



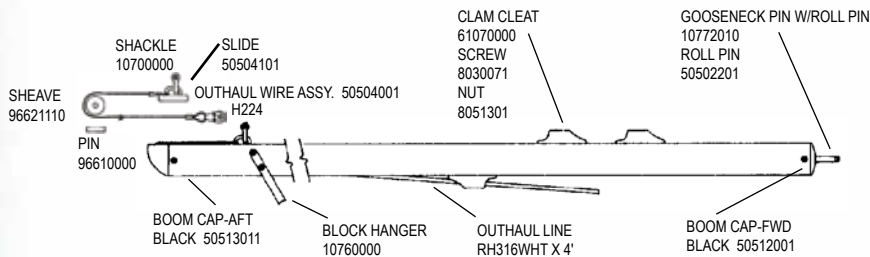
H17 Rivet Guide

() indicates quantity needed to fasten part

Mast	
Head	8010131 (2)
Halyard Hook	8011231 (3)
Base	8010131 (2)
Rear Crossbar	
Swivel Jammer	8010201 (1)
	8031501 (2)
	8031231 (2)
	8080011 (1)
	8050801 (1)
Dead Eye	8010181 (4)
Back Up Plate	8010201 (4)
Track	8010201 (44)
Hull	
Trampoline Track	8010121 (9)
(backup washers required on above, 61360000)	
Boom	
End Cap (gooseneck)	8010131 (2)
Block Hanger	8010181 (4)
End Cap	8010131 (2)
Rudder (Upper Casting)	
Casting	8011231 (4)
End Cap	8010131 (2)
Sail Hardware	
Headboard	8010020 (16)
Main Clew Plate	8010020 (10)
Batten Pocket	8010020 (4)
Jib Clew Plate	8010020 (6)
(above rivets require setting machine which is not available in a hand tool)	
Wing	
End Cap	8010051 (1)
Castings	8010131 (8)
Forward Cross Bar - Sport	
Swivel Cam Cleats	8010131 (4)

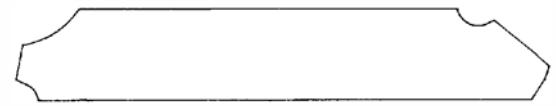
H17 BOOM

BLACK 50510000



H17 WINGS SET W/O TRAMPOLINES

50650000



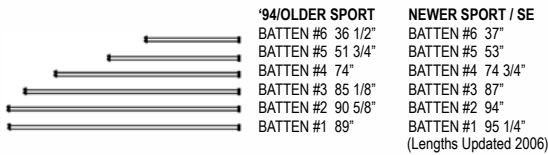
WING TRAMP SET

5065XXXX

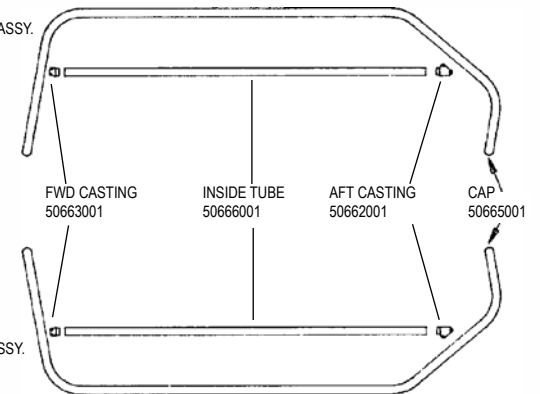
(XXXX = Color / See parts list for available options)

H17 / 17 SPORT BATTENS

(FOR INDIVIDUAL BATTENS SEE UNIVERSAL BATTENS PAGE)



RIGHT-WING ASSY. 50680001



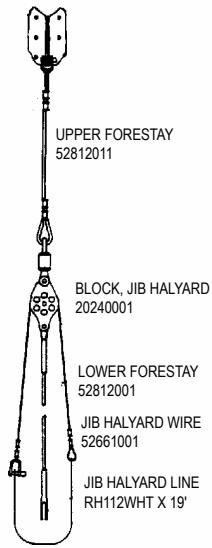
LEFT-WING ASSY. 50660001



HOBIE 17 SPORT SPECIFIC

NOTE: WHERE A SPECIFIC ITEM IS NOT IDENTIFIED, USE THE STANDARD HOBIE 17 LINE DRAWINGS.

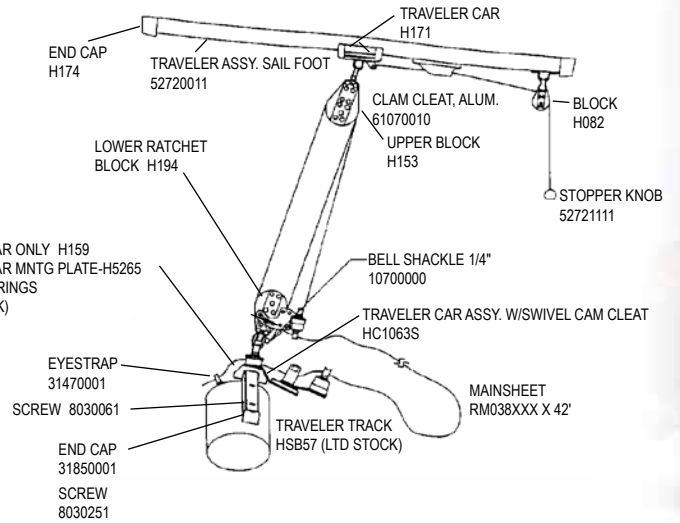
H17 SPORT FORESTAY



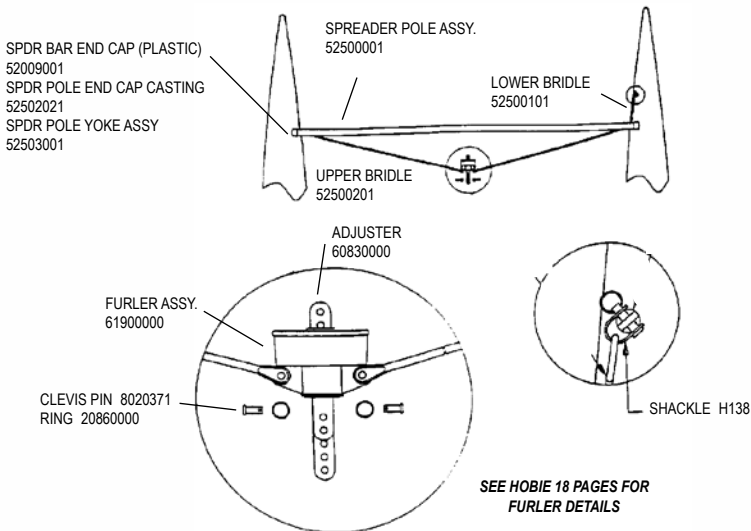
SPORT BOOMLET ASSEMBLY (NEWER, 95 - CURRENT) 52722011



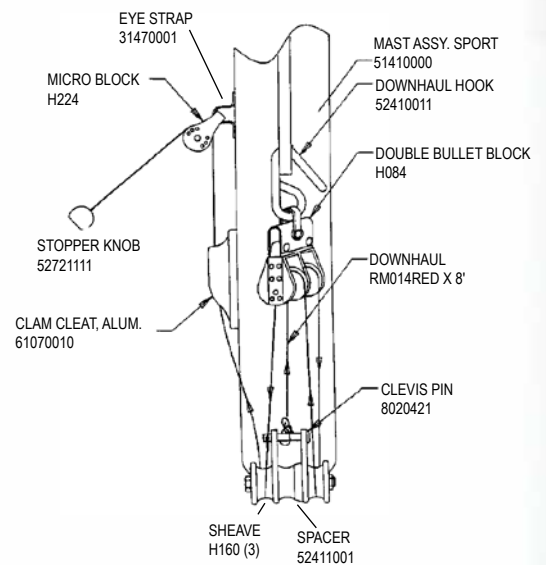
ORIGINAL H17 SPORT REAR CROSSBAR, MAINSHEET SYSTEM AND OUTHAUL SYSTEM-1994 AND EARLIER



H17 SPORT SPREADER POLE & FURLER



H17 SPORT MAST ASSY. & DOWNHAUL



H17 SPORT FRONT CROSSBAR

