

HOBIE CLUB WAVE PARTS

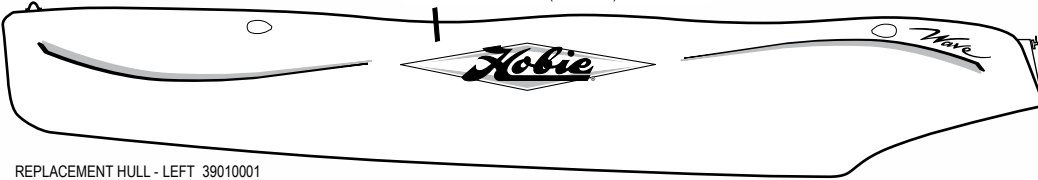
WAVE VERSION NOTES:

CLUB WAVE - THREE PIECE TRAMPOLINE, SHROUDS AND BRIDLES CONNECT WITH CLEVIS PINS.

CLASSIC WAVE - ONE PIECE TRAMPOLINE, SHROUDS AND BRIDLES CONNECT TO HULL WITH HOOKS.

BRIDLE
EYESTRAP
38120011

SCREW
8030331



REPLACEMENT HULL - LEFT 39010001
REPLACEMENT HULL - RIGHT 39020001

ANCHOR PLATE 39100011 (PAIR)
SCREW 8030331
PUSH-IN PANEL RIVET (INBOARD) 38120031

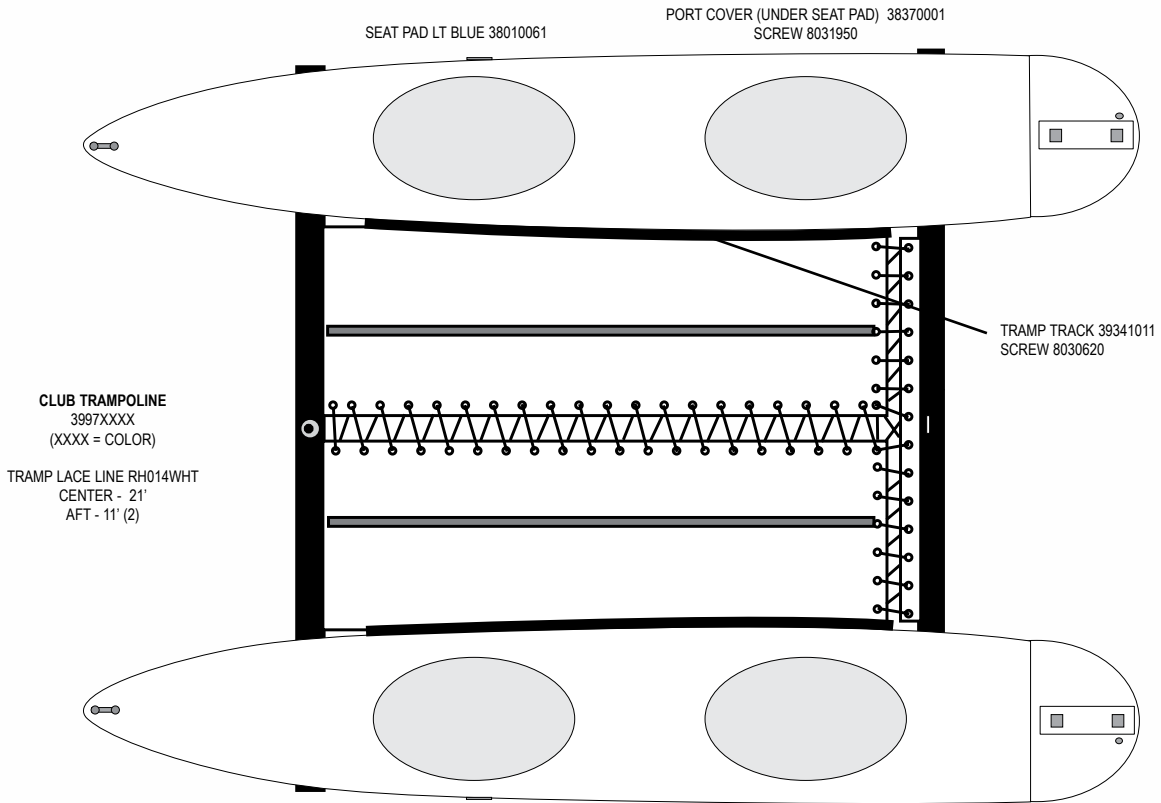
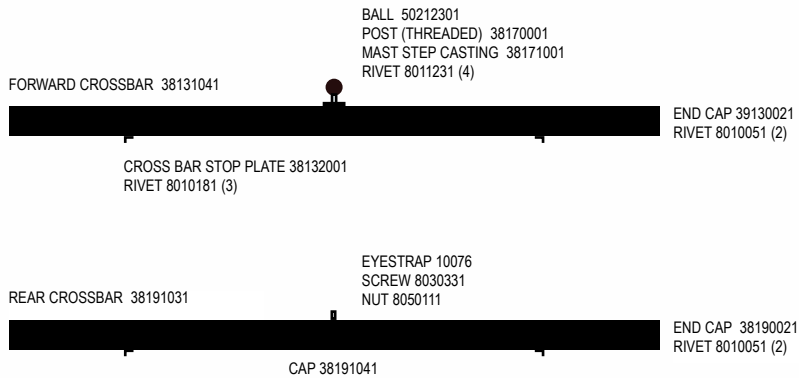
DECALS -
12450015 "CURLS" COMPLETE SET
12450017 "WAVE" EACH
12451031 "HOBIE" DIAMOND 36" TURQUOISE EACH

EZ LOC RUDDER PINTLES
UPPER PINTLE 90880211
LOWER PINTLE 90880221

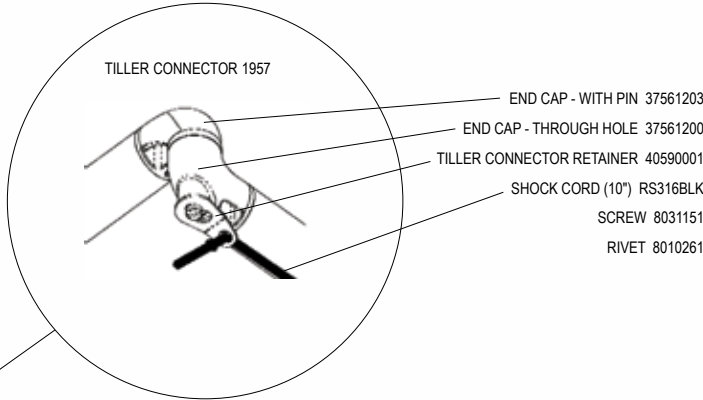
SCREW 8030171
SCREW (2009+) 8030331



DRAIN PLUG
W/ GASKET 10091000



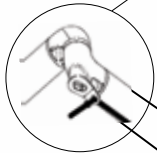
TILLER CROSSBAR - EZ LOC 39524001 (67" TUBE)



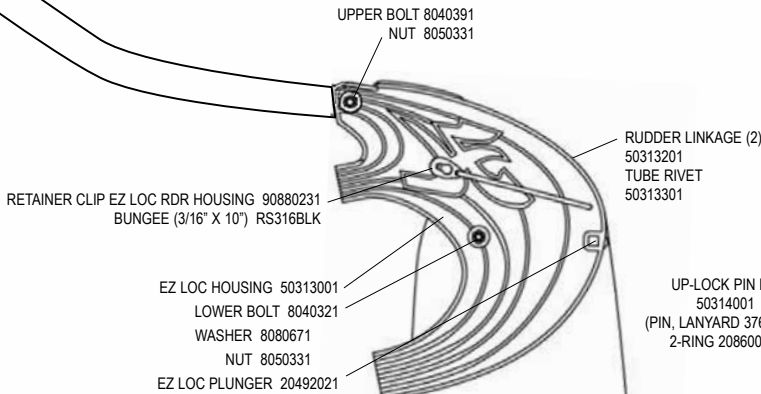
TILLER CONNECTOR 1957

- END CAP - WITH PIN 37561203
- END CAP - THROUGH HOLE 37561200
- TILLER CONNECTOR RETAINER 40590001
- SHOCK CORD (10") RS316BLK
- SCREW 8031151
- RIVET 8010261

EZ LOC RUDDER ASSEMBLY
39312000



TILLER ARM
39382011



RETAINER CLIP EZ LOC RDR HOUSING 90880231
BUNGEE (3/16" X 10") RS316BLK

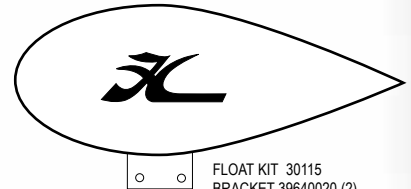
- EZ LOC HOUSING 50313001
- LOWER BOLT 8040321
- WASHER 8080671
- NUT 8050331
- EZ LOC PLUNGER 20492021

UPPER BOLT 8040391
NUT 8050331

RUDDER LINKAGE (2)
50313201
TUBE RIVET
50313301

UP-LOCK PIN KIT
50314001
(PIN, LANYARD 37661091,
2-RING 20860000)

EZ LOC
RUDDER
BLADE
20491000



FLOAT KIT 30115
BRACKET 39640020 (2)
SCREW 8032011 (4)

- MAST HEAD ASSY 10602111
- RIVET 8010131 (2)
- SHEAVE 20614210 (2)
- SPACER 20614231 (2)
- CLEVIS PIN 8020340 (2)
- LOCK RING 10860001 (2)
- MAST ASSEMBLY 38581041
- COMPTIP 38582100
- LOWER MAST 38583141

- HALYARD HOOK 10680000
- RIVET 8010181 (2)
- CAP 8011291 (2)
- LUFF TRACK 38584001

HALYARD
38651001

MAST TANG 10690000
RIVET 8010181 (6)
CAP 8011291 (6)

FOAM PLUG
10060000

DANGER LABEL / WATCH FOR
WIRES 13440010

MAST CAUTION LABEL 13440000

HALYARD CLEAT 10730000
RIVET 8010121 (2)
RIVET CAP 8011291 (2)

DOWNHAUL CLEAT 10730000
SCREW 8030111 (2)
NUT 8051301 (2)

MAST STEP PIN 8020451

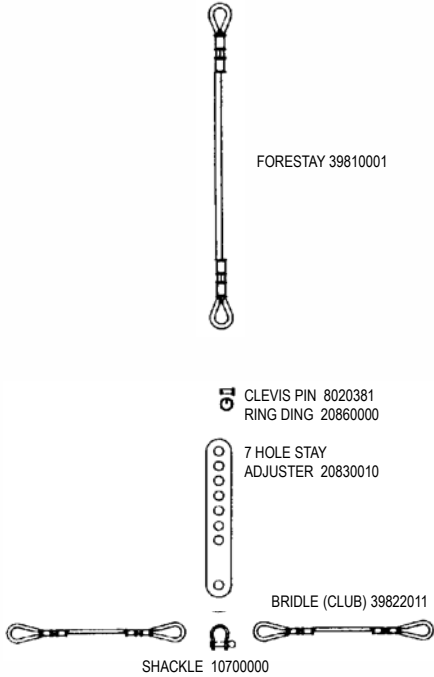
MAST BASE 38641001
RIVET 8010131 (3)
RIVET CAP 8011291 (3)

UPDATE OLDER WAVE TO EZ LOC

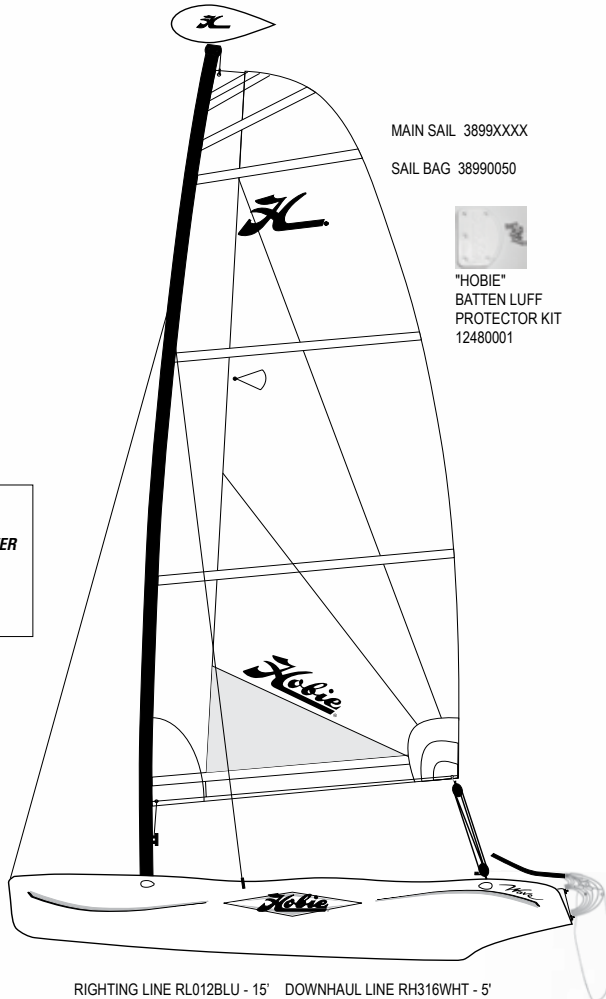
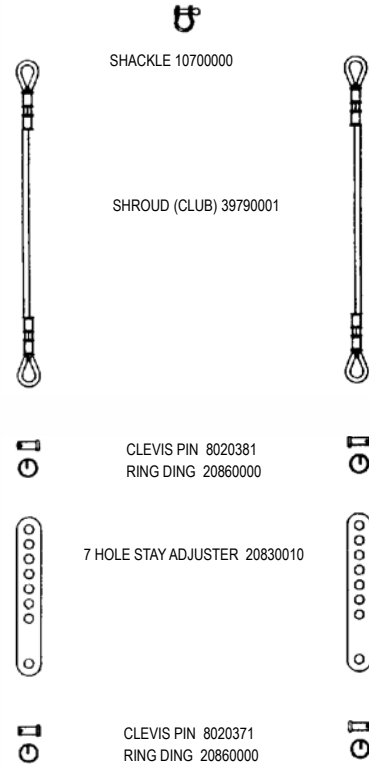
- (2) 39312000 EZ LOC RUDDER ASSEMBLY
- (1) 39524001 TILLER CROSSBAR
- (2) 90880211 PINTLE - UPPER
- (2) 90880221 PINTLE - LOWER
- (12) 8030171 SCREW 12-24 X 3/4

DANGER:
ALWAYS USE EXTREME CAUTION WHILE
RAISING AND LOWERING YOUR MAST, CONTACT
WITH A POWER LINE COULD BE FATAL.

FORESTAY / BRIDLES



SHROUDS

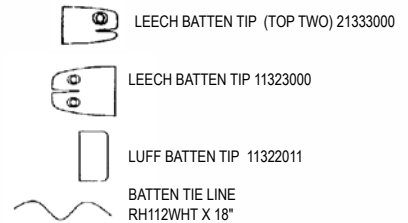


MAST

SERIAL NUMBER 1438 AND NEWER
MAST ASSEMBLY 38581041
LOWER MAST 38583141
MAST BASE (CUP) 38641001

(H16 JIB) BATTEN #5 36"
(H16 JIB) BATTEN #4 50"
BATTEN #3 66 7/8"
BATTEN #2 77 7/8"
BATTEN #1 82 3/8"

38016001 HOBIE WAVE BATTEN SET
(FOR INDIVIDUAL BATTENS SEE UNIVERSAL BATTENS IN CATALOG)



"S" HOOK 38900031
SHACKLE 11220000

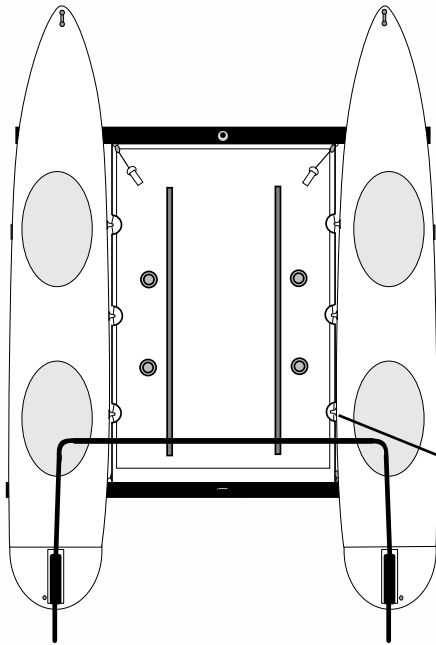
UPPER BLOCK
38900061

MAINSHEET
RM516BLU X 35'

LOWER
BLOCK 38900071
CAM CLEAT
RF5001 CAM CLEAT
RF5005 FAIRLEAD
8031011 SCREW (2)

MODEL / YEAR / ACCESSORY VARIATIONS

CLASSIC WAVE

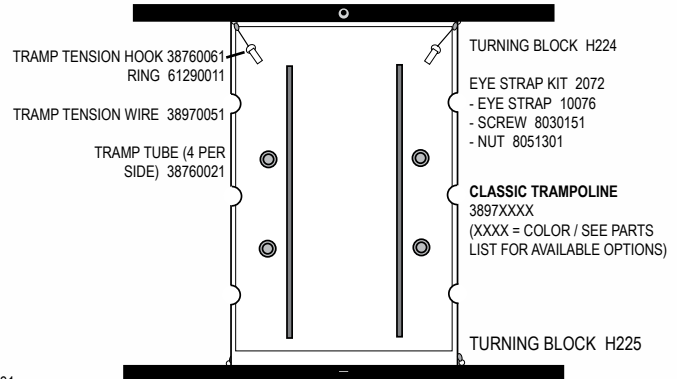


WAVE CLASSIC WIRES
 SHROUD CLASSIC W/HOOKS 38790001
 FORESTAY 39810001
 BRIDLE CLASSIC W/HOOKS 38822011

OLDER -
 TRAMPOLINE ANCHOR HOOK 38760031
 NEWER-
 (BOATS WITH TRACKS)
 TRAMP TENSION SLIDE 38760071
 STOPPER / FOAM 8003255 12 PCS X 2" (FT)

TILLER CROSS BARS
 39521001 CLUB BOLT (62")
 39522001 TENDON (62")

ORIGINAL MAST
 STEP CASTING 10170011

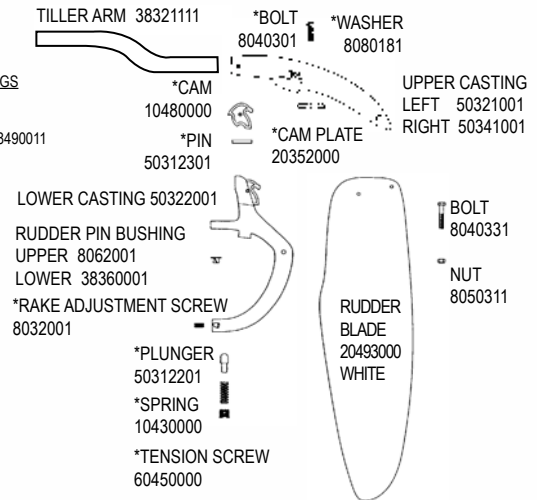


SE LACE ROD 49" 38881011
 SE VELCRO LACE STRAP
 (4 PER BOAT) 38970061

RUDDER ASSEMBLY

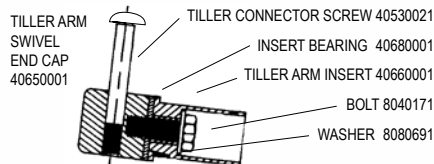
Pre-"EZ LOC" Rudder System

* = SUB ASSEMBLY PART / INCLUDED WITH CASTING



OLDER TILLER CONNECTOR PARTS

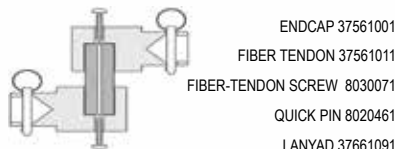
CLUB TILLER CONNECTOR (1954 / 1956)



1956 KIT - CLUB TILLER CONNECTOR
 (REPLACES TENDON STYLE WITH CLUB BOLT STYLE)

1954 KIT - CLUB TILLER CONNECTOR / UPGRADE FOR EARLY BOATS
 WITH ORIGINAL CURVED TENDON CONNECTORS.
 INCLUDES TILLER CROSS BAR AND ALL TILLER CONNECTOR FITTINGS

TENDON TILLER CONNECTOR



ALUMINUM RUDDER CASTINGS
 UPPER PINTLE 38101301
 LOWER PINTLE 38101401
 KEEPER PIN W/ LANYARD 38490011

LOWER CASTING 50322001
 RUDDER PIN BUSHING
 UPPER 8062001
 LOWER 38360001
 *RAKE ADJUSTMENT SCREW
 8032001

*PLUNGER
 50312201
 *SPRING
 10430000
 *TENSION SCREW
 60450000

BOLT
 8040331
 NUT
 8050311

Wave Rivet Guide () Quantity needed to fasten part

| | | | |
|---------------|-------------|------------------------|-------------|
| MAST | | REAR CROSSBAR | |
| HEAD | 8010131 (2) | PAD EYE | 8010181 (2) |
| HALYARD HOOK | 8010181 (2) | FRONT CROSSBAR | |
| | 8011291 (2) | MAST STEP | 8011231 (4) |
| TANG | 8010181 (6) | RUDDER ASSEMBLY | |
| | 8011291 (6) | UPPER CASTING | 8010131 (2) |
| HALYARD CLEAT | 8010121 (2) | (UNDERSIDE) | 8011231 (1) |
| BASE | 8010131 (3) | TILLER END CAP | 8010131 (2) |

MAST

SERIAL NUMBER 0 THROUGH 1437
 OLD MAST ASSEMBLY NLA (SEE
 NEW STYLE REQUIRES MAST STEP
 RETROFIT.
 MAST BASE (HOBIE14 STYLE)
 10640011

COMMON ACCESSORIES

BOW SPREADER 38999021
 END CAP 38950011
 BOW SPREADER TANG 38120041
SEAT BACKREST KIT 38040011
 BACKREST INSTALLATION QUICK PIN 8020181
 BACKREST PLUG, FORWARD 38660011
 BACKREST PLUG, AFT 38660031

MAIN TRAVELER KIT (CLUB) 39250000

HIKING STICK KIT (EZ LOC) 39550001