

C
F
J

LaserPerformance NORTH AMERICA

300 Highpoint Avenue
Portsmouth, Rhode Island 02871
USA
t +1 800 966 SAIL
f +1 401 683 0990

LaserPerformance EUROPE

Station Works, Long Buckby
Northamptonshire NN6 7PF
United Kingdom
t +44 (0) 1327 841600
f +44 (0) 1327 841601

LaserPerformance ASIA

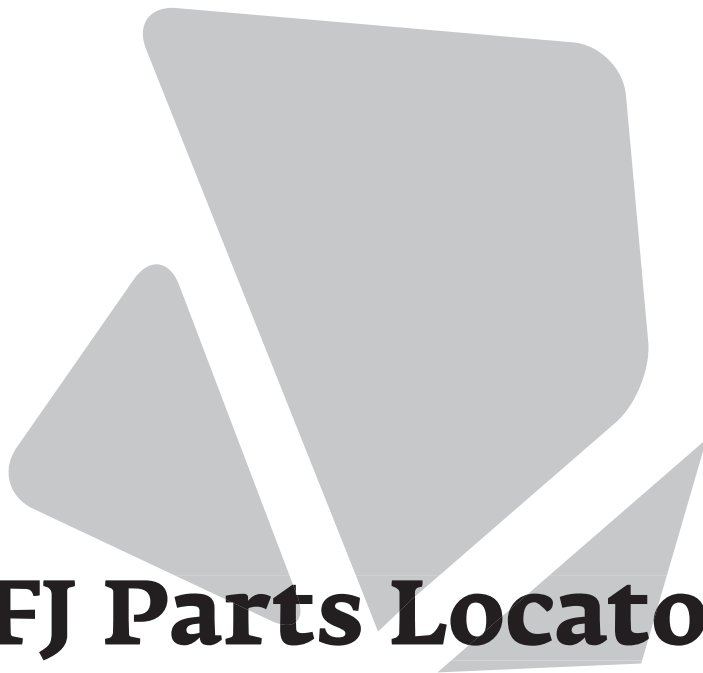
Room 3415
China Merchants Tower
Shun Tak Centre
No. 168-200 Connaught Road Central
Hong Kong
t +852 2902 2818
f +852 2587 7868

LaserPerformance MIDDLE EAST

po Box 18323
Jebel Ali Free Zone
Dubai, UAE
t +9714 881 7190
f +9714 881 7522

LASERPERFORMANCE.COM

All rights reserved. ©2009 LaserPerformance.
LaserPerformance and associated logos are
trademarks. Laser, SB3, Sunfish, and Dart are
trademarks used under license. LaserPerformance
reserves the right to make design and/or specifica-
tion changes to any of their products as part of
their continuous development program.

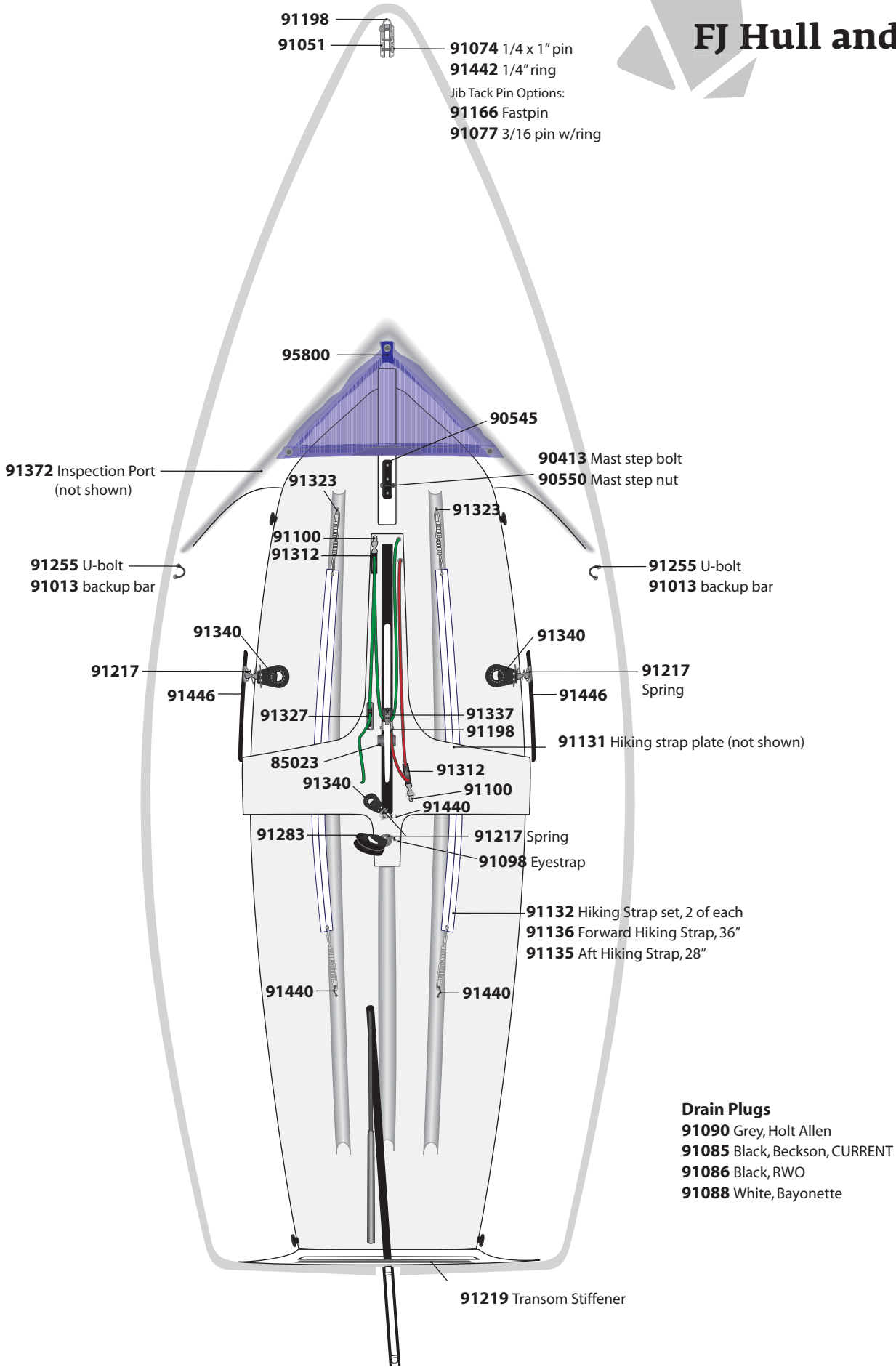


Club FJ Parts Locator

LaserPerformance™



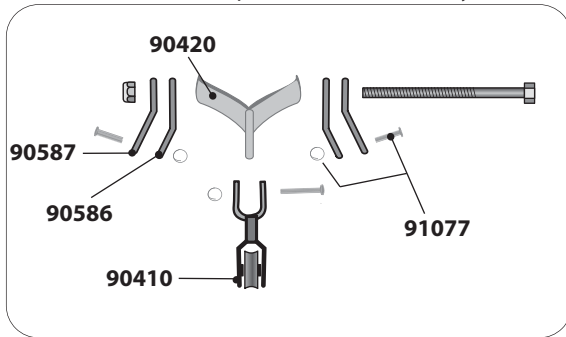
FJ Hull and Deck





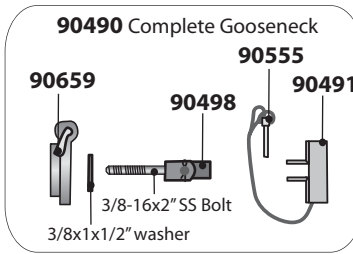
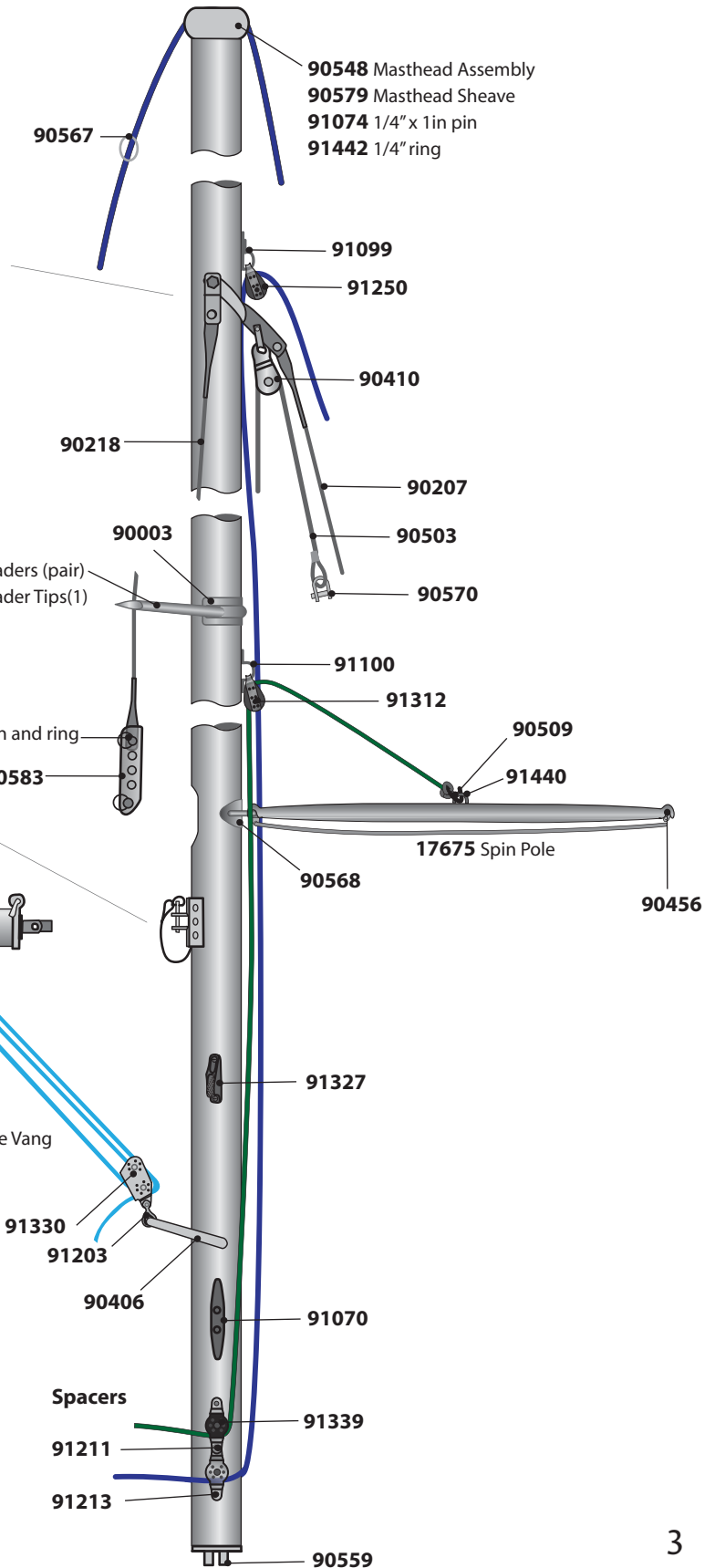
FJ Cal Style Spars

90510 Complete Hounds Assembly



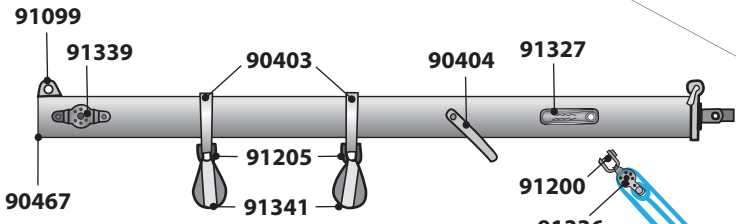
18602 Mast, Cal Style, JRV, Rigged with spinnaker gear

18600 Mast, Cal Style, SCV, Rigged



90018 Spreaders (pair)
90016 Spreader Tips(1)

1/4"x 3/4" pin and ring
90583



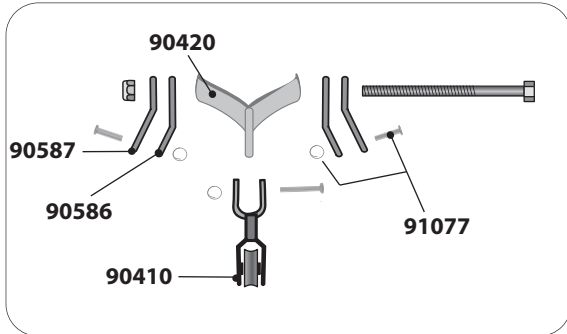
18650 Boom Rigged

90605 Complete Vang

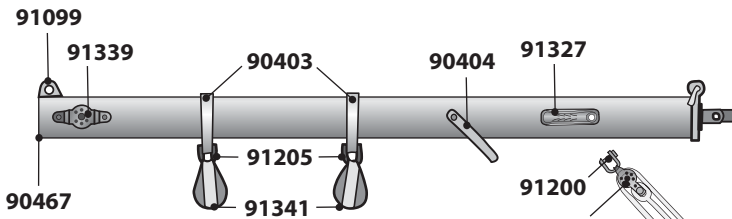
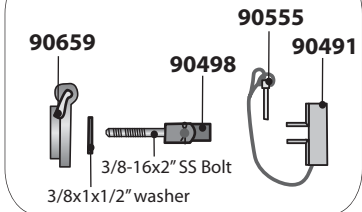


FJ Collegiate Style Spars

90510 Complete Hounds Assembly

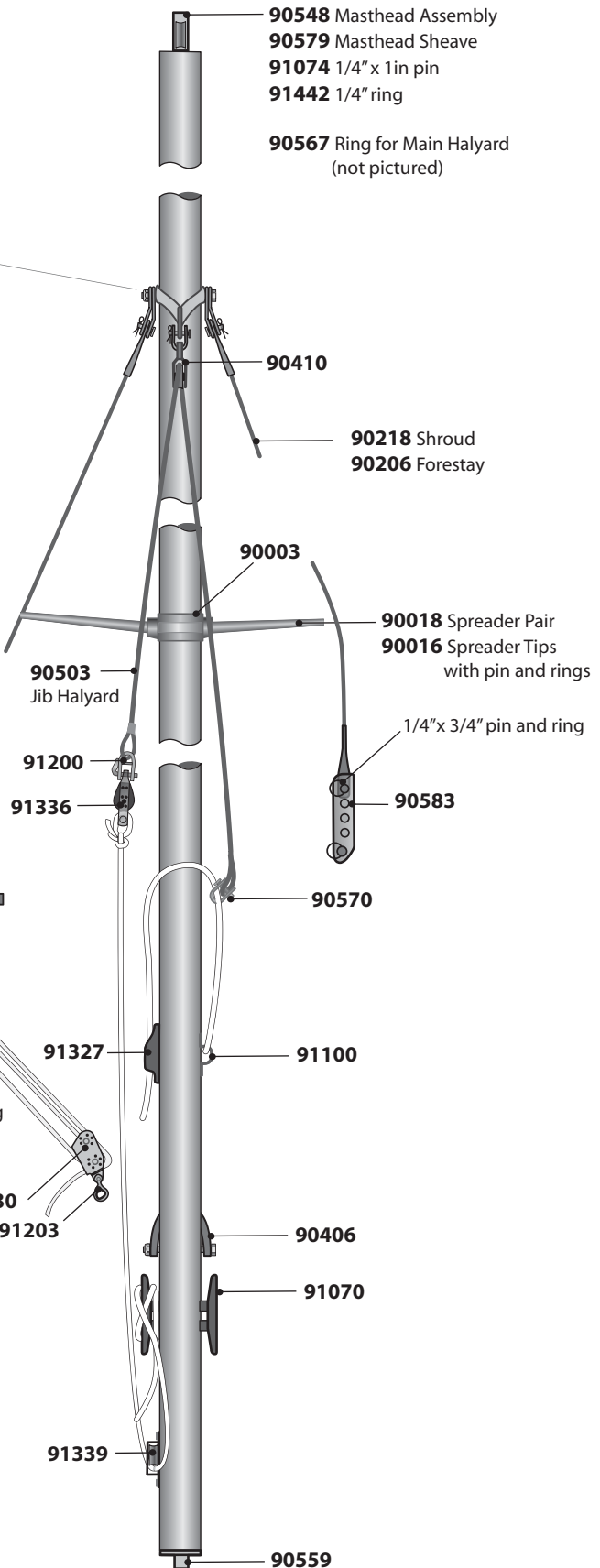
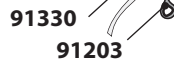


90490 Complete Gooseneck



18650 Boom Rigged

90605 Complete Vang



- 90548 Masthead Assembly
- 90579 Masthead Sheave
- 91074 1/4" x 1in pin
- 91442 1/4" ring

90567 Ring for Main Halyard (not pictured)

90410

- 90218 Shroud
- 90206 Forestay

90003

- 90018 Spreader Pair
- 90016 Spreader Tips with pin and rings

1/4" x 3/4" pin and ring

90503 Jib Halyard

90583

91200

91336

90570

91327

91100

90406

91070

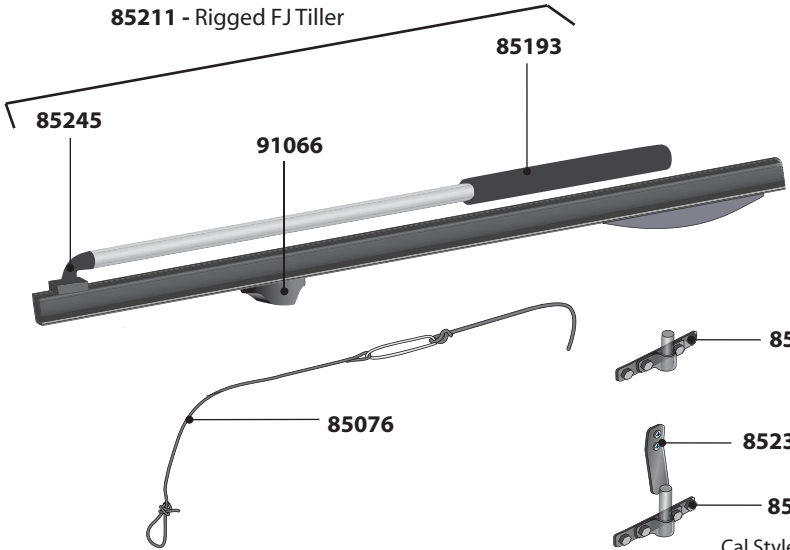
91339

90559

- 18601 Mast, FJ, SCV, Rigged with running and standing rigging
- 89039 Mast, FJ, SCV, Unrigged
- 18600 Mast, FJ, SCV, Cal Style, Rigged without spinnaker gear



FJ Blades



85211 - Rigged FJ Tiller

85245

91066

85193

85076

85091

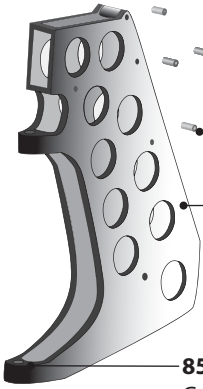
85238

85090

Cal Style Pintles:

85093 - Upper

85092 - Lower



85152 Complete FJ Rudder

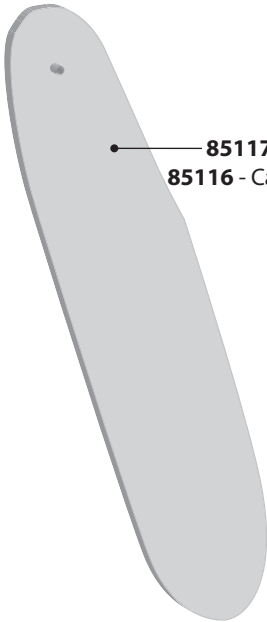
85165 Spacers

85133

85265
Gudgeon Bushing

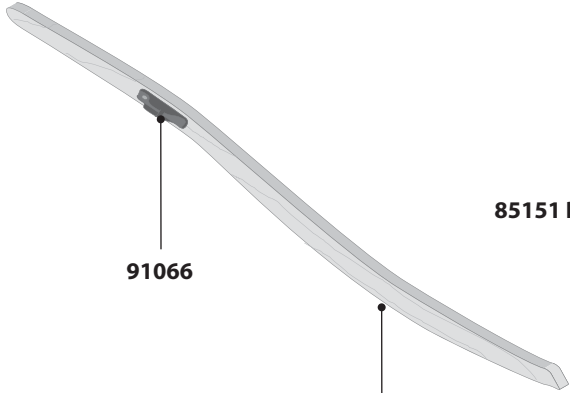


85212



85117 - Blade only

85116 - Cal Style Blade Only



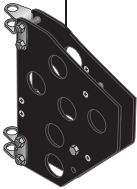
85151 Rigged Cal Style Rudder

91066

85134

85215 - Rigged

85213 - Unrigged



85024 FJ Centerboard



FJ Technical Information

Hull Weight	230 lbs	104 kg
LOA	13.3 ft	4.1m
Beam	5.4 ft	1.3m
Draft	3.0 ft	1.0m
Main Sail Area	80 sq ft	5.9 m sq
Jib Sail Area	30 sq ft	3.4 m sq
Spinnaker Sail Area	95 sq ft	7.4 m sq

FJ Line Specifications

<u>Description</u>	<u>Diameter (in)</u>	<u>Diameter (mm)</u>	<u>Type</u>	<u>Length</u>	<u>Quantity</u>
Centerboard Keeper	3/16 in	5mm	shockcord	3.5 ft	1
Centerboard Uphaul	3/16 in	5mm	prestretch	8.5 ft	1
Hiking strap aft tie down	3/16 in	5mm	prestretch	3.5 ft	2
Hiking strap center tie down	3/16 in	5mm	prestretch	1 ft	4
Hiking strap forward tie down	3/16 in	5mm	prestretch	3 ft	2
Hiking strap lifter	1/4 in	6mm	shockcord	2 ft	4
Painter	5/16 in	8mm	prestretch	10 ft	1
Spinnaker bag shockcord	3/16 in	5mm	shockcord	2 ft 3 in	1
Spinnaker block lines		2mm	dyneema	2 ft	2
Trapeze Retractor	3/16 in	5mm	shockcord	11 ft	1
Vang	3/16 in	5mm	prestretch	14 ft	1
Rigging					
Cunningham	3/16 in	5mm	prestretch	5 ft	1
Outhaul	3/16 in	5mm	prestretch	10 ft	1
Main Halyard	1/4 in	6mm	prestretch	40 ft	1
Topping lift	3/16 in	5mm	prestretch	25 ft	1
Spinnaker Foreguy	3/16 in	5mm	shockcord	14.5 ft	1
Spinnaker Halyard	5/32 in	4mm	prestretch	38 ft	1
Jib halyard tail	1/4 in	6mm	prestretch	16 ft	1
Jib halyard wire	1/8, 7x19in		ss wire	13.75 ft	1
Sheets					
Mainsheet	5/16 in	8mm	braid on braid	30 ft	1
Jibsheet	5/16 in	8mm	braid on braid	30 ft	1
Spinnaker Sheet	1/4 in	6mm	dyneema	50 ft	1