



LaserPerformance NORTH AMERICA

300 Highpoint Avenue
Portsmouth, Rhode Island 02871
USA

t +1 800 966 SAIL
f +1 401 683 0990

LaserPerformance EUROPE

Station Works, Long Buckby
Northamptonshire NN6 7PF
United Kingdom

t +44 (0) 1327 841600
f +44 (0) 1327 841601

LaserPerformance ASIA

Room 3415
China Merchants Tower
Shun Tak Centre
No. 168-200 Connaught Road Central
Hong Kong

t +852 2902 2818
f +852 2587 7868

LaserPerformance MIDDLE EAST

po Box 18323
Jebel Ali Free Zone
Dubai, UAE

t +9714 881 7190
f +9714 881 7522

LASERPERFORMANCE.COM

All rights reserved. ©2009 LaserPerformance.
LaserPerformance and associated logos are
trademarks. Laser, SB3, Sunfish, and Dart are
trademarks used under license. LaserPerformance
reserves the right to make design and/or specifica-
tion changes to any of their products as part of
their continuous development program.

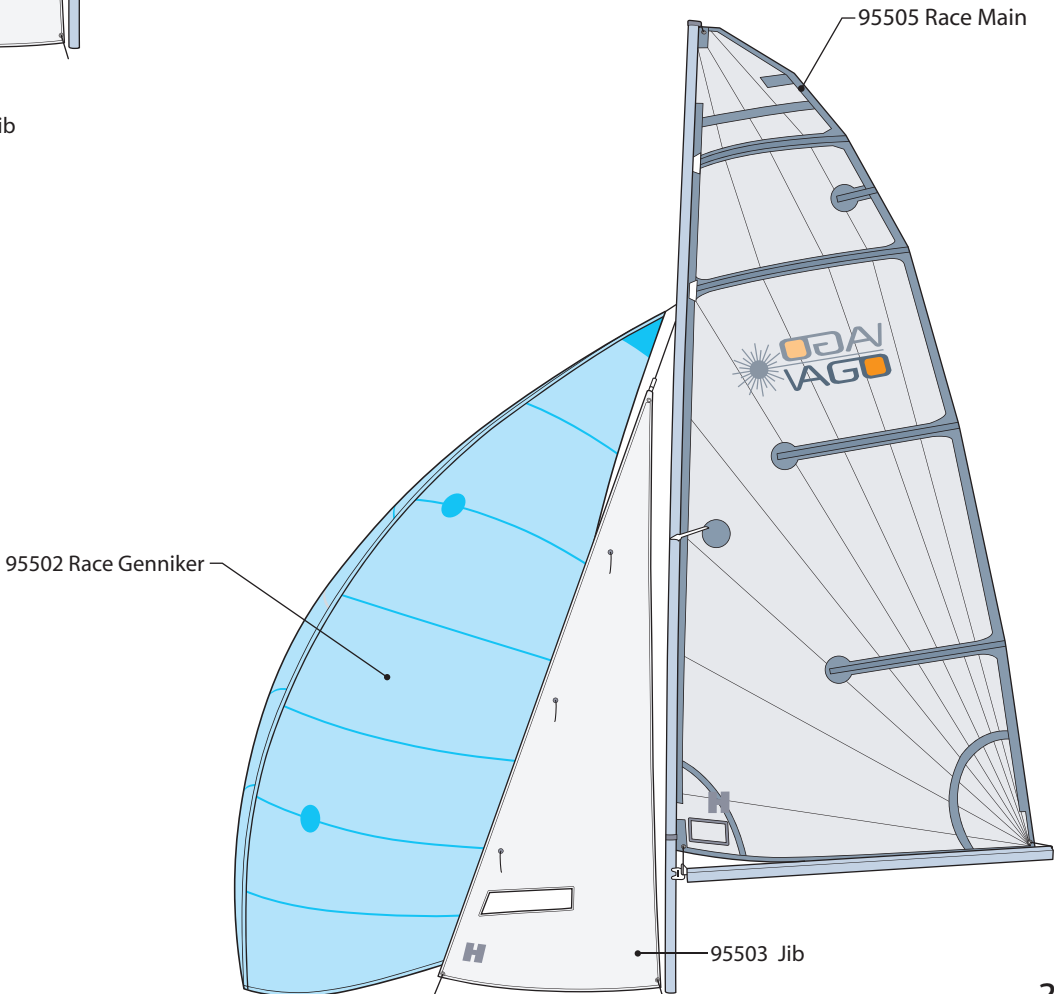
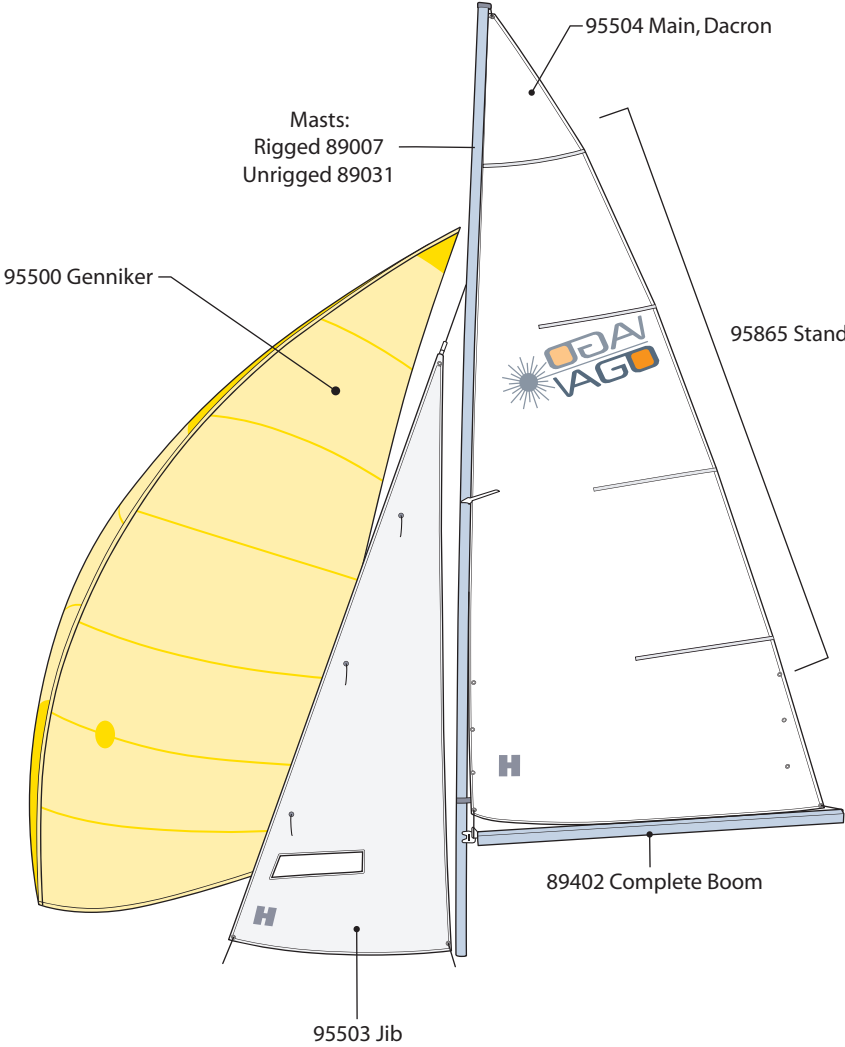


Vago Parts Locator

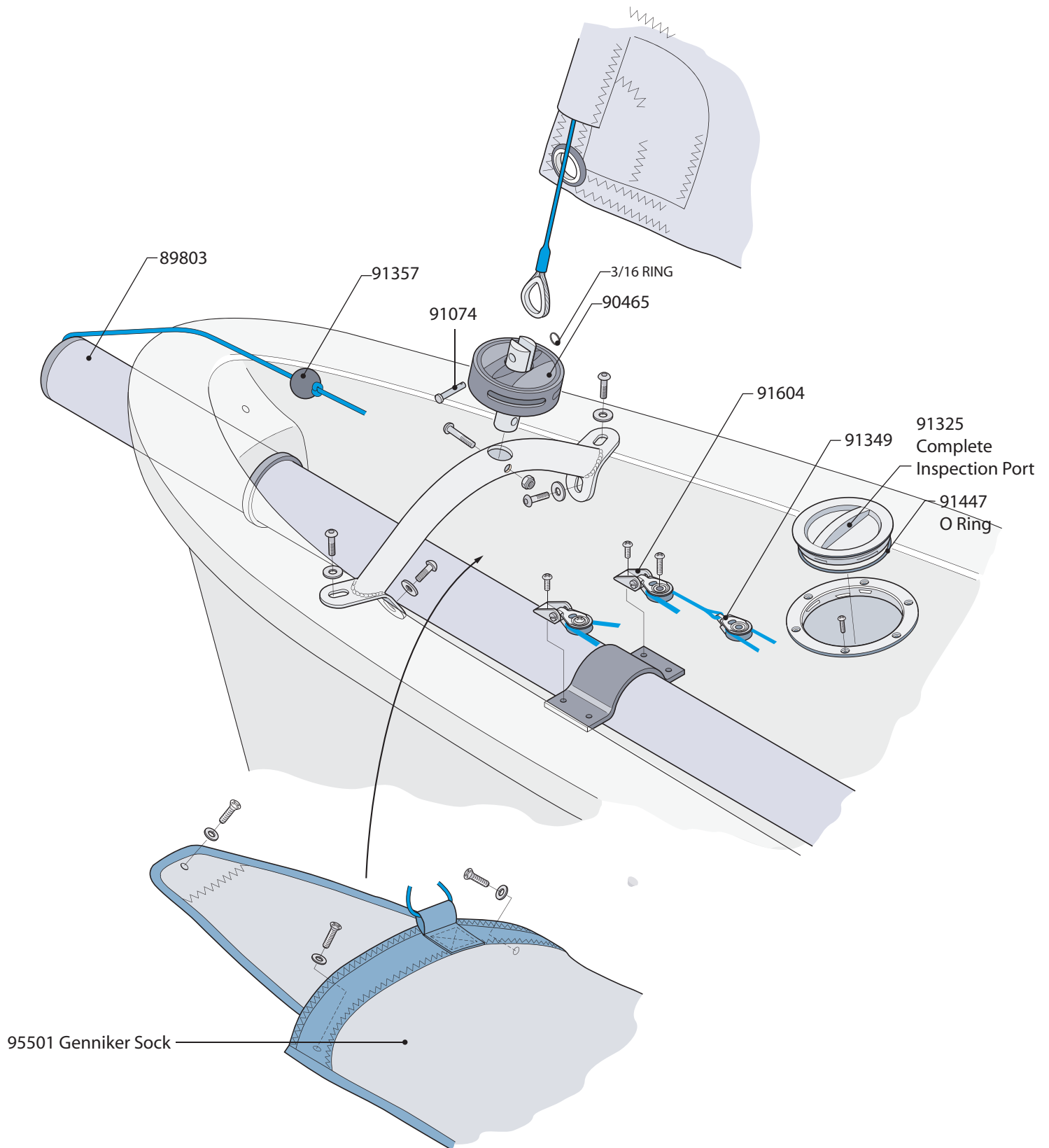
LaserPerformance™



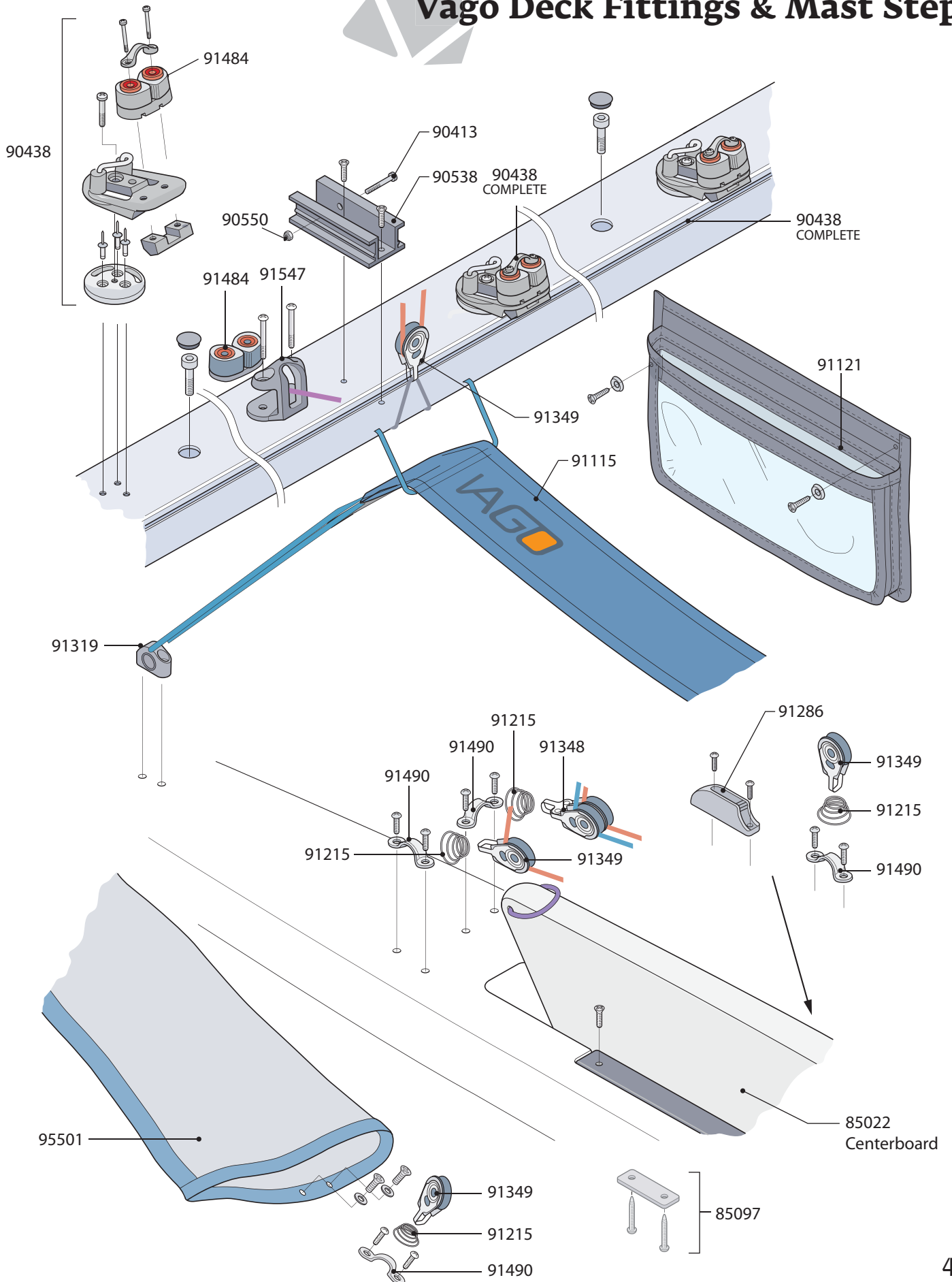
Vago Sails and Spars



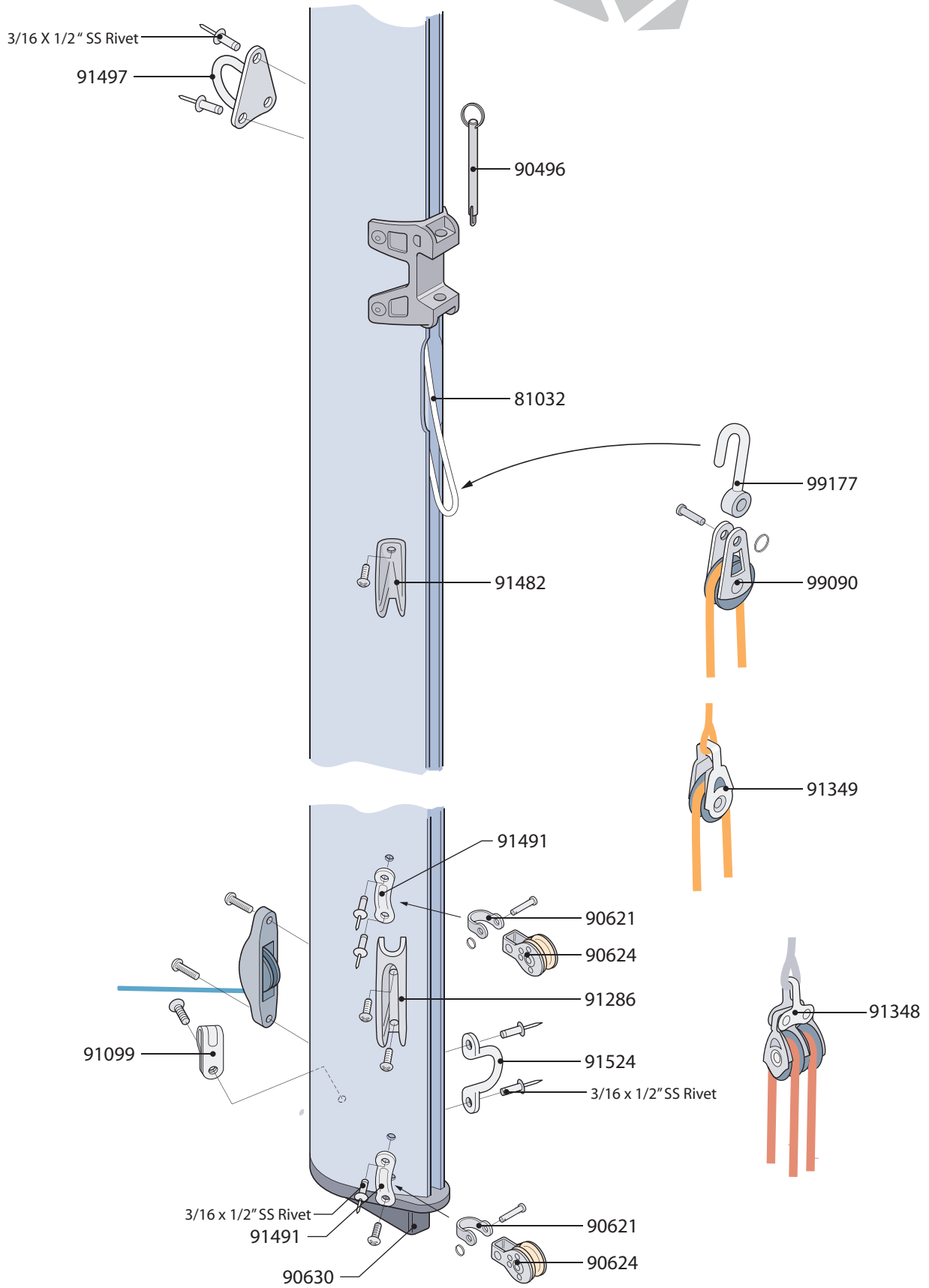
Vago Hull & Deck Fittings



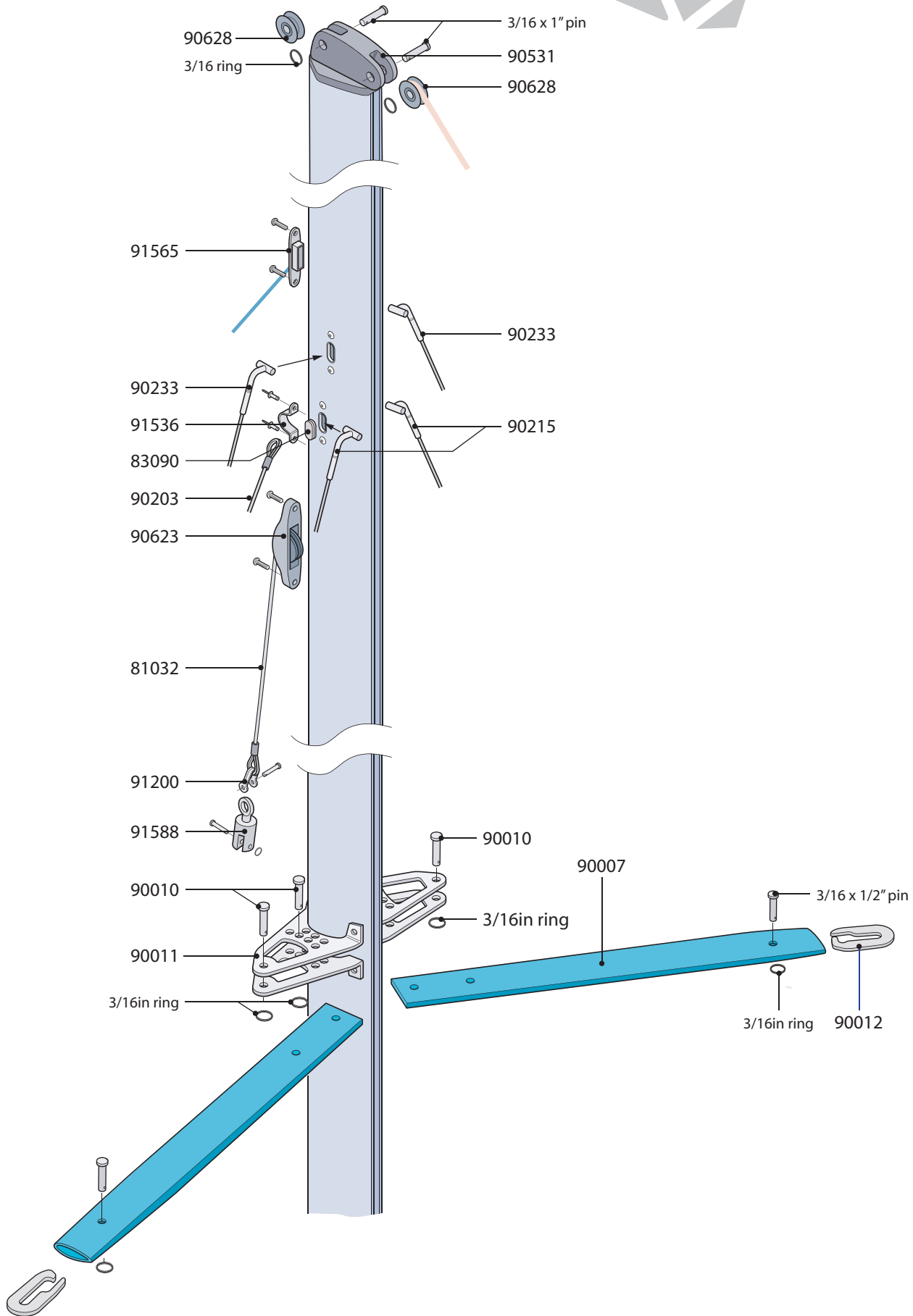
Vago Deck Fittings & Mast Step



Vago Mast Fittings

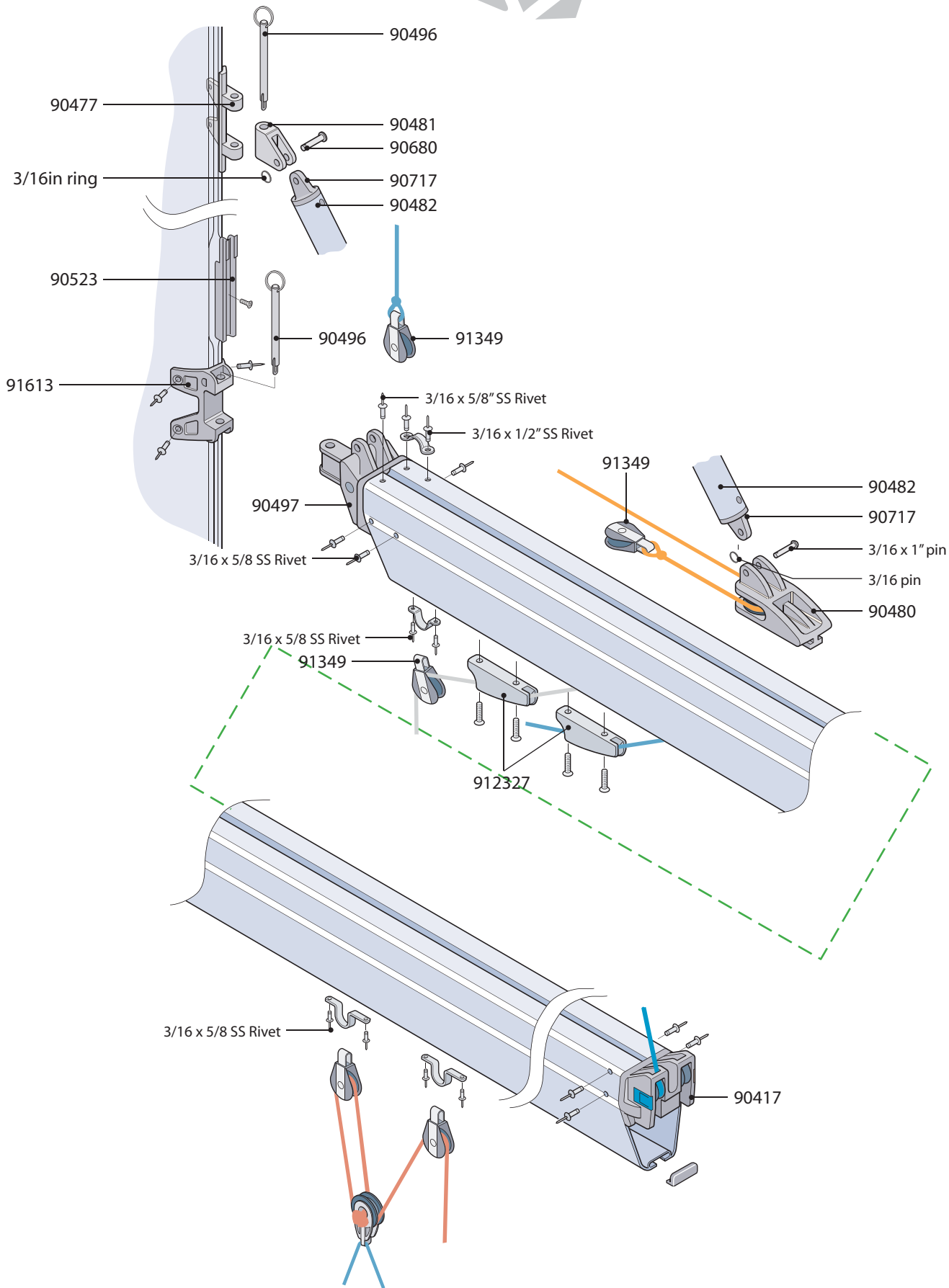


Vago Mast Fittings

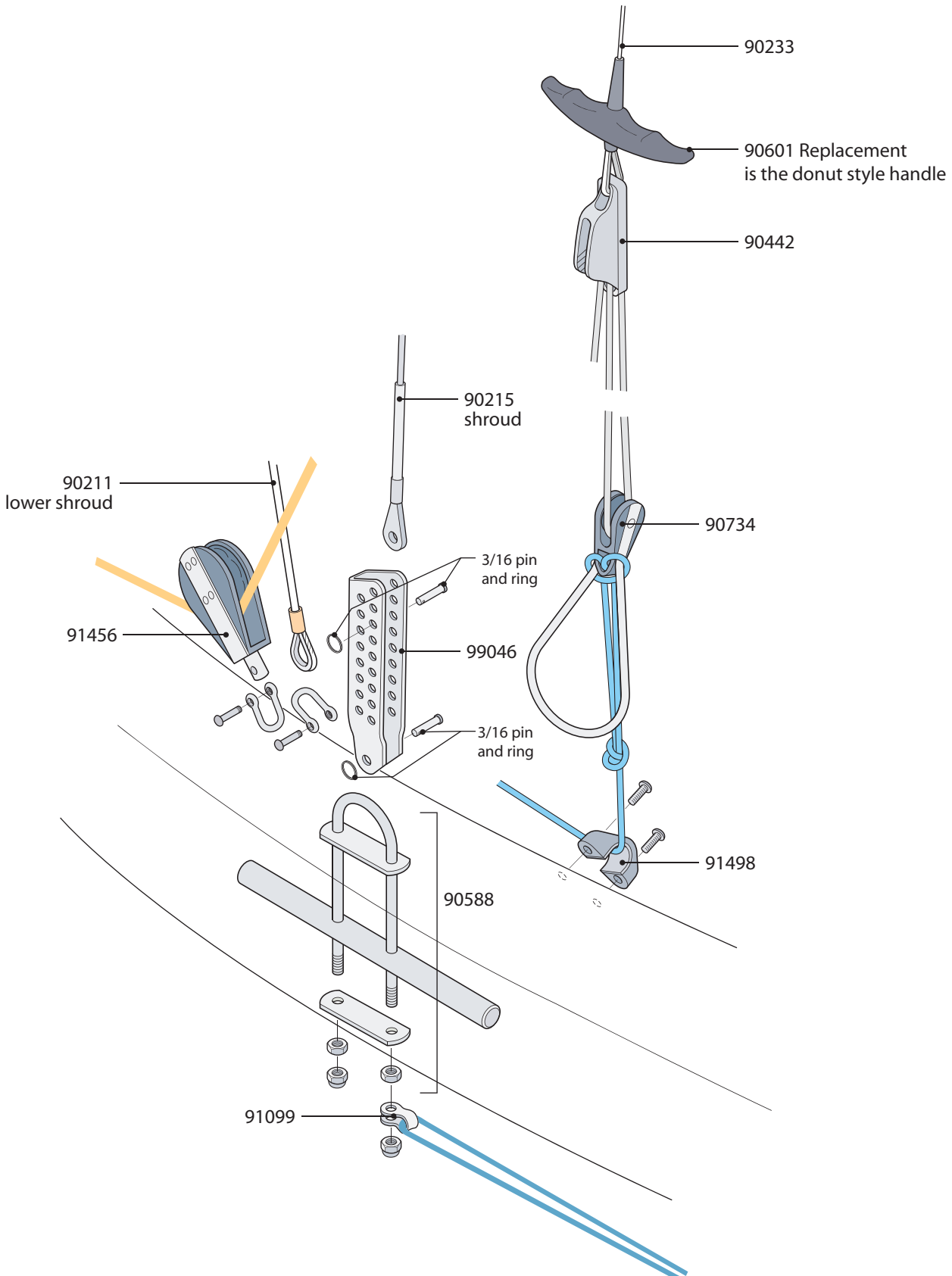




Vago Boom and Gnav System

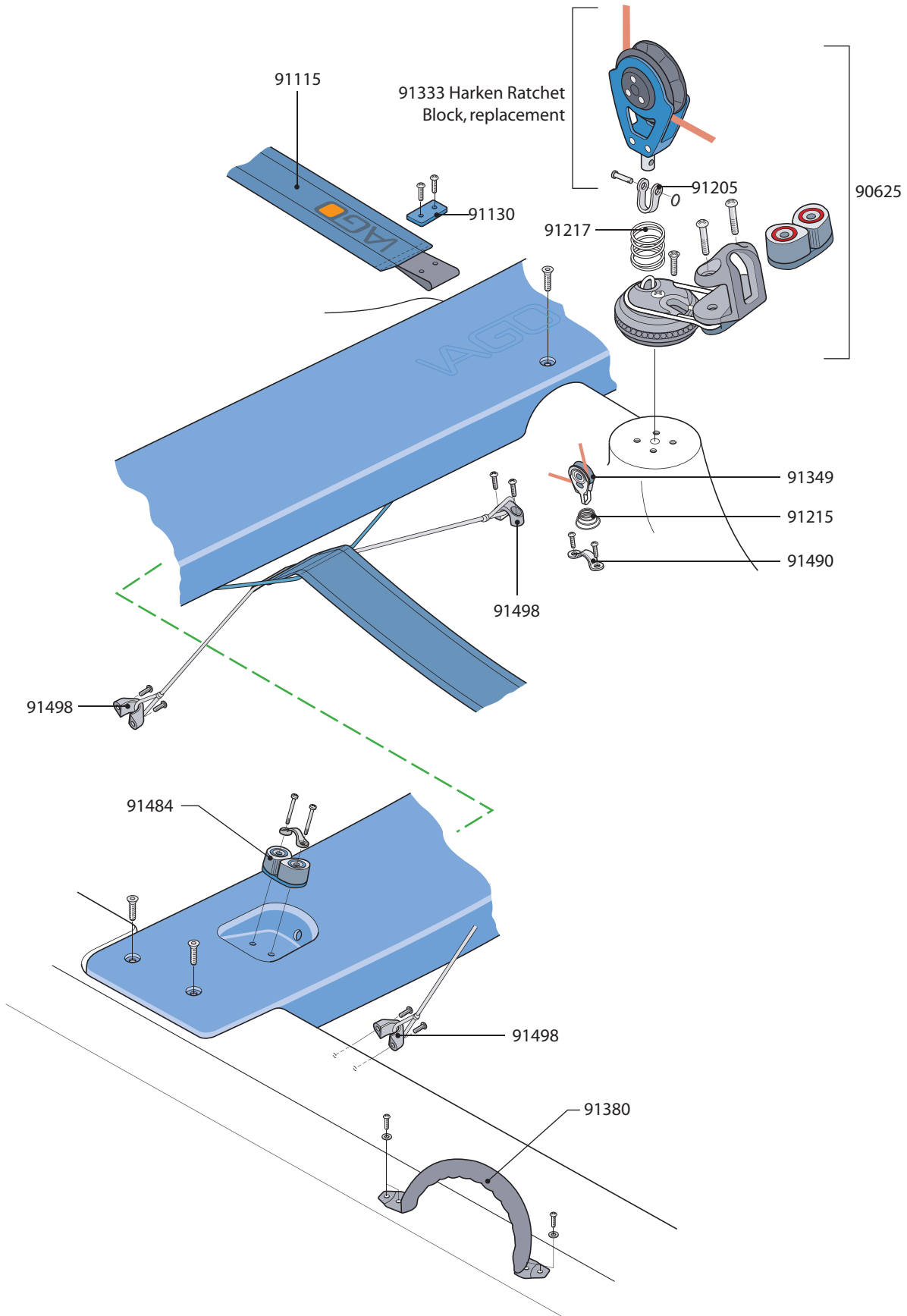


Vago Rigging and Trapeze Kit

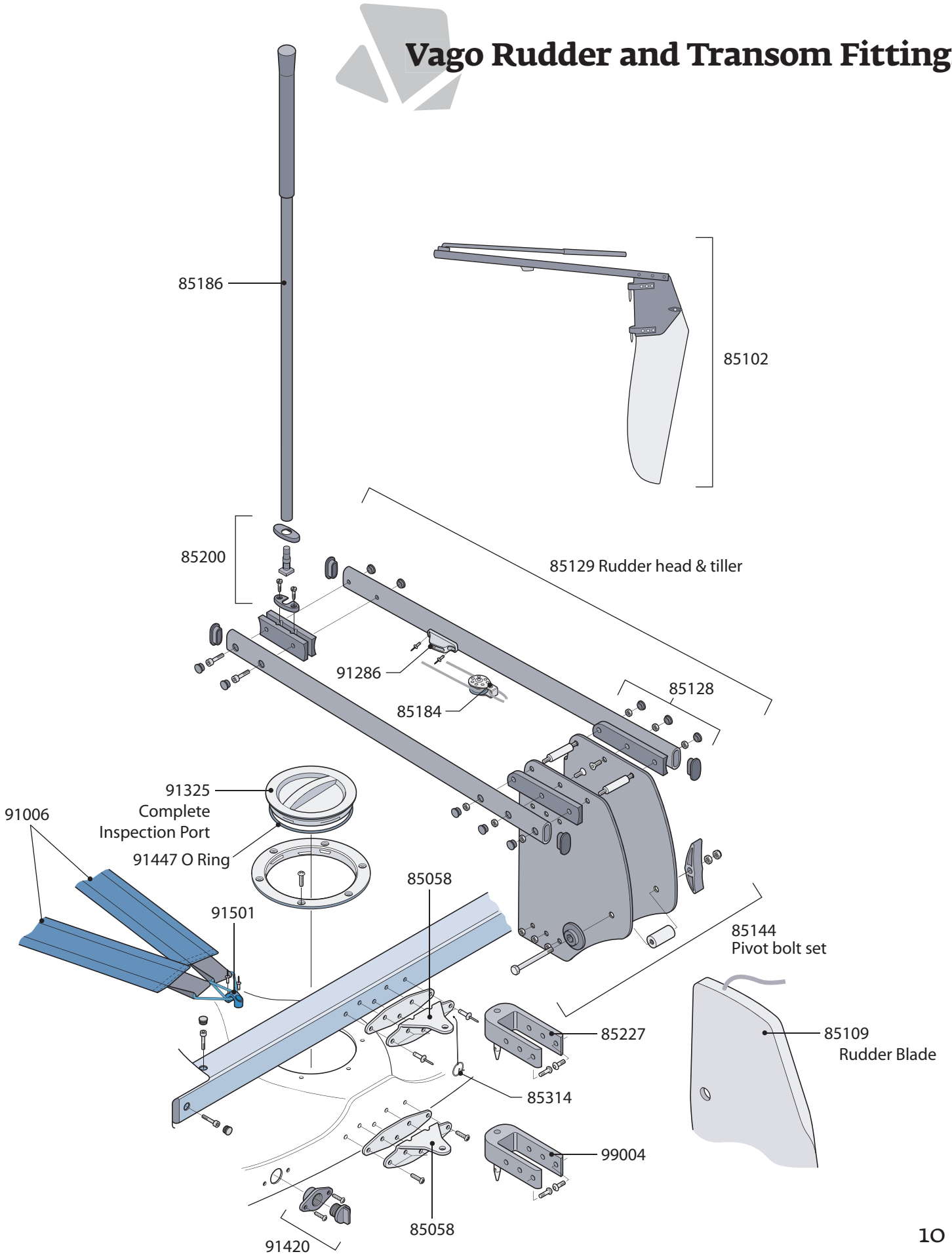




Vago Mainsheet and Sail Controls



Vago Rudder and Transom Fittings





Vago Technical Information

Hull Weight	233.69 lbs	106 KG
LOA	13.78 ft	4.20 m
Beam	5.12 ft	1.56 m
Draft	3.77 ft	1.15 m
Main Sail Area	81.38 sq ft	7.56 sq m
Jib Sail Area	29.92 sq ft	2.78 sq m
Spinnaker Sail Area	116.79 sq ft	10.85 sq m
Race Main Sail Area	100.21 sq ft	9.31 sq m
Race Spinnaker Sail Area	129.92 sq ft	12.07 sq m

Vago Line Package

<u>Description</u>	<u>Diameter (in)</u>	<u>Diameter (mm)</u>	<u>Type</u>	<u>Length</u>	<u>Quantity</u>
Centerboard Retainer	1/4 in	6mm	shockcord	2.5 ft	1
Centerboard Rope Handle	3/16 in	5mm	prestretch	1 ft	1
Cunningham Control Line	5/32 in	4mm	prestretch	11.5 ft	1
Cunningham Strop	5/32 in	4mm	prestretch	2 ft	1
Forestay Strop	1/8 in	3mm	Dyneema	4.5 ft	1
Hiking Strap Retainer - Aft	3/16 in	5mm	Spectra	3 ft	1
Hiking Strap Retainer - Front	3/16 in	5mm	Spectra	3.5 ft	1
Hiking Strap Shockcord	3/16 in	5mm	shockcord	4 ft	1
Jib Halyard Purchase	5/32 in	4mm	prestretch	10 ft	1
Lower Shroud Mast Strop	1/8 in	3mm	Dyneema	2.5 ft	2
Lower Shroud Strop	1/8 in	3mm	Dyneema	2.5 ft	2
Main Halyard	3/16 in	5mm	prestretch	43	1
Mainsheet Bridle	5/32 in	4mm	Dyneema	6 ft	1
Outhaul	5/32 in	4mm	prestretch	11.5 ft	1
Reef Line - Aft	1/8 in	4mm	prestretch	32 ft	1
Reef Line - Forward	5/32 in	4mm	prestretch	32 ft	1
Righting Line	5/32 in	4mm	prestretch	6.5 ft	2
Righting Line Shockcord	3/16 in	5mm	shockcord	4 ft	2
Rudder Downhaul	3/16 in	5mm	prestretch	7 ft	1
Spinnaker Halyard	5/32 in	4mm	prestretch	46 ft	1
Trapeze Adjuster	3/16 in	5mm	prestretch	10 ft	2
Trapeze Shockcord	3/16 in	5mm	shockcord	14 ft	1
Vang Control Line	5/32 in	4mm	prestretch	20 ft	1
Vang Primary	5/32 in	4mm	prestretch	7 ft	1
Sheets					
Jibsheet	9/32 in	7mm	braid on braid	22 ft	1
Mainsheet	9/32 in	7mm	braid on braid	22 ft	1
Spinnaker Sheet	1/4 in	6mm	braid on braid	35 ft	1