



**LaserPerformance NORTH AMERICA**

300 Highpoint Avenue  
Portsmouth, Rhode Island 02871  
USA  
t +1 800 966 SAIL  
f +1 401 683 0990

**LaserPerformance EUROPE**

Station Works, Long Buckby  
Northamptonshire NN6 7PF  
United Kingdom  
t +44 (0) 1327 841600  
f +44 (0) 1327 841601

**LaserPerformance ASIA**

Room 3415  
China Merchants Tower  
Shun Tak Centre  
No. 168-200 Connaught Road Central  
Hong Kong  
t +852 2902 2818  
f +852 2587 7868

**LaserPerformance MIDDLE EAST**

po Box 18323  
Jebel Ali Free Zone  
Dubai, UAE  
t +9714 881 7190  
f +9714 881 7522

**LASERPERFORMANCE.COM**

All rights reserved. ©2009 LaserPerformance.  
LaserPerformance and associated logos are  
trademarks. Laser, SB3, Sunfish, and Dart are  
trademarks used under license. LaserPerformance  
reserves the right to make design and/or specifica-  
tion changes to any of their products as part of  
their continuous development program.

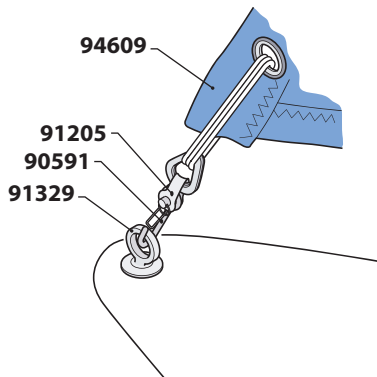
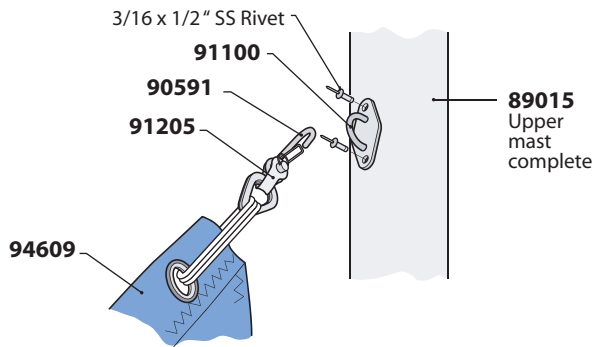
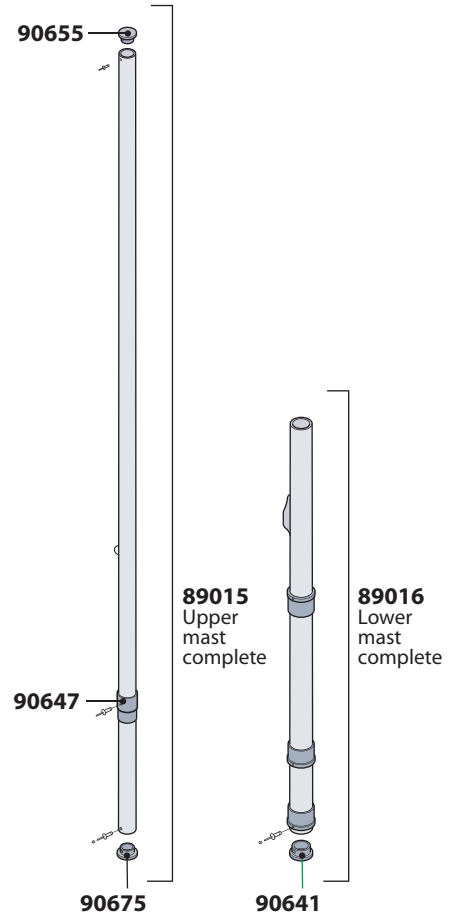


# Pico Parts Locator

*LaserPerformance™*

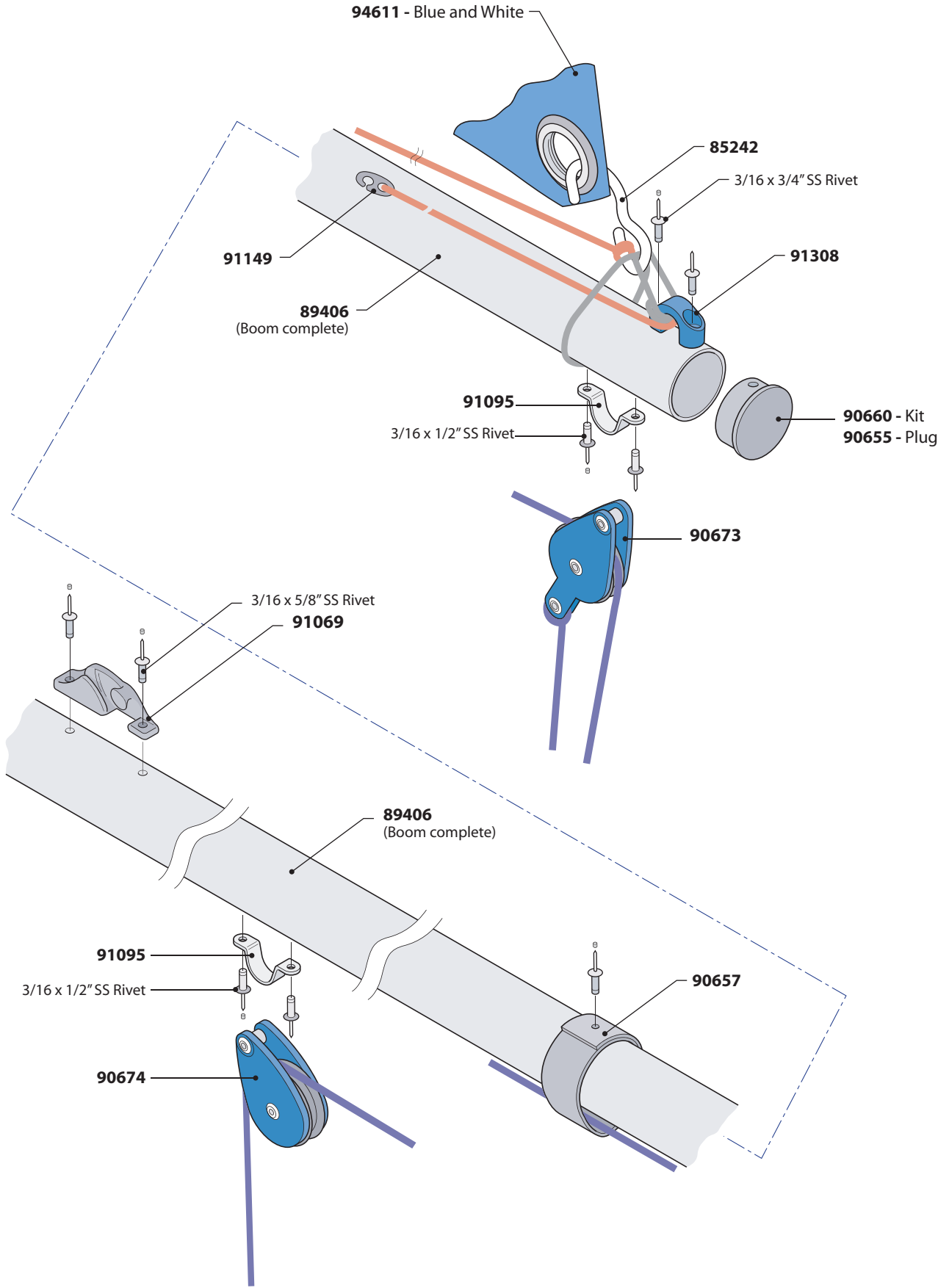


# Pico Sails and Spars



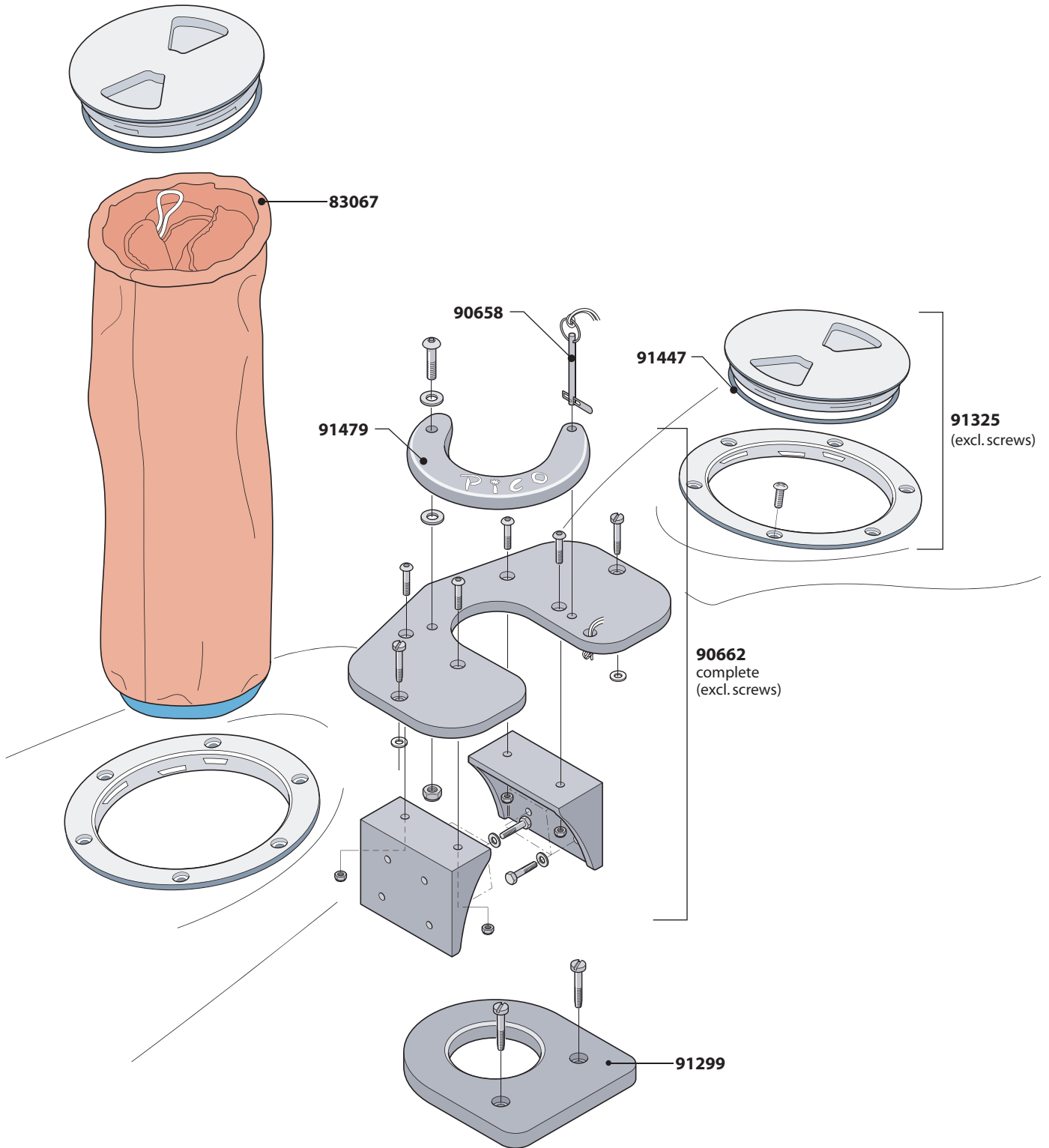


# Pico Boom and Rigging



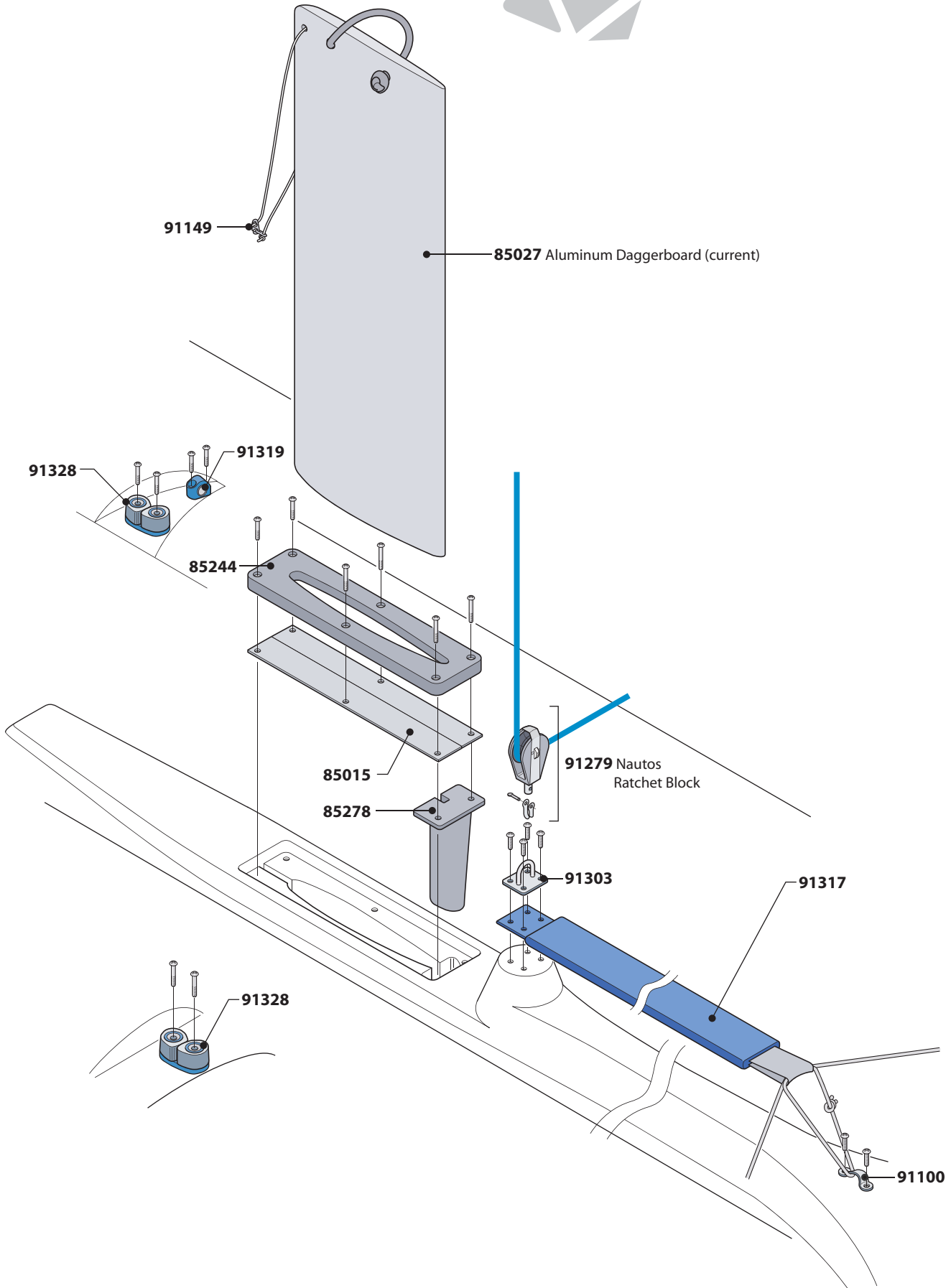


# Pico Mast Step



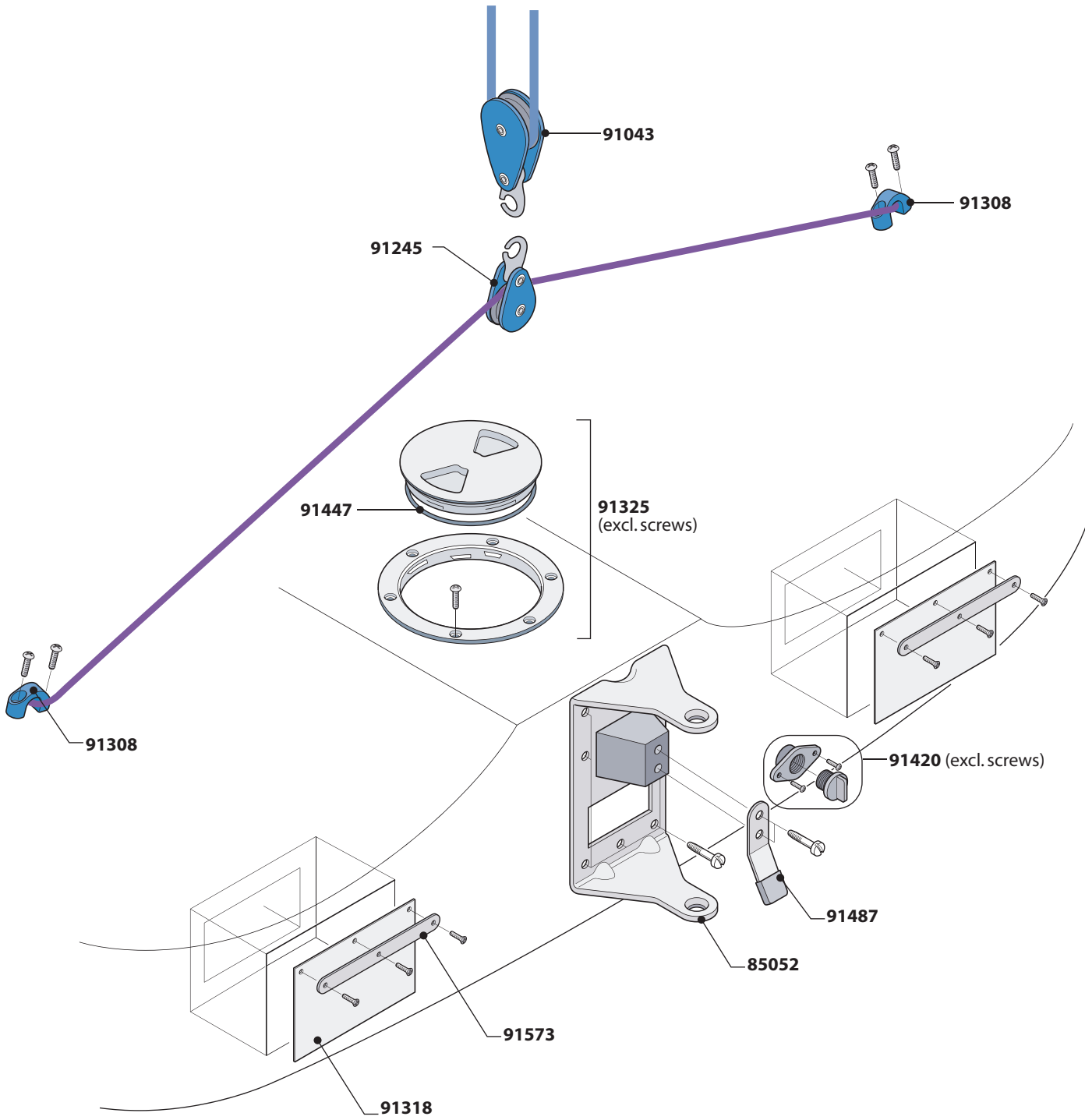


# Pico Hull and Deck Fittings



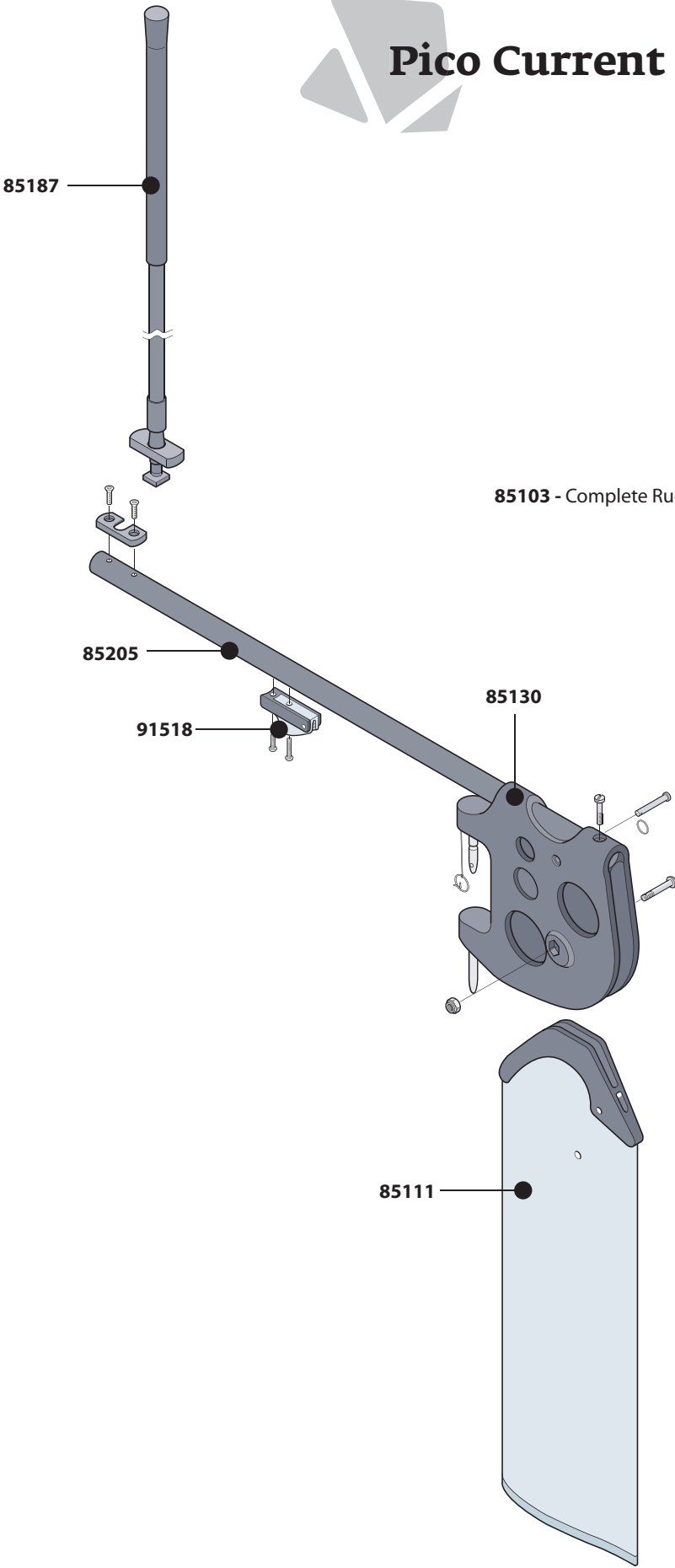


# Pico Hull and Deck Fittings





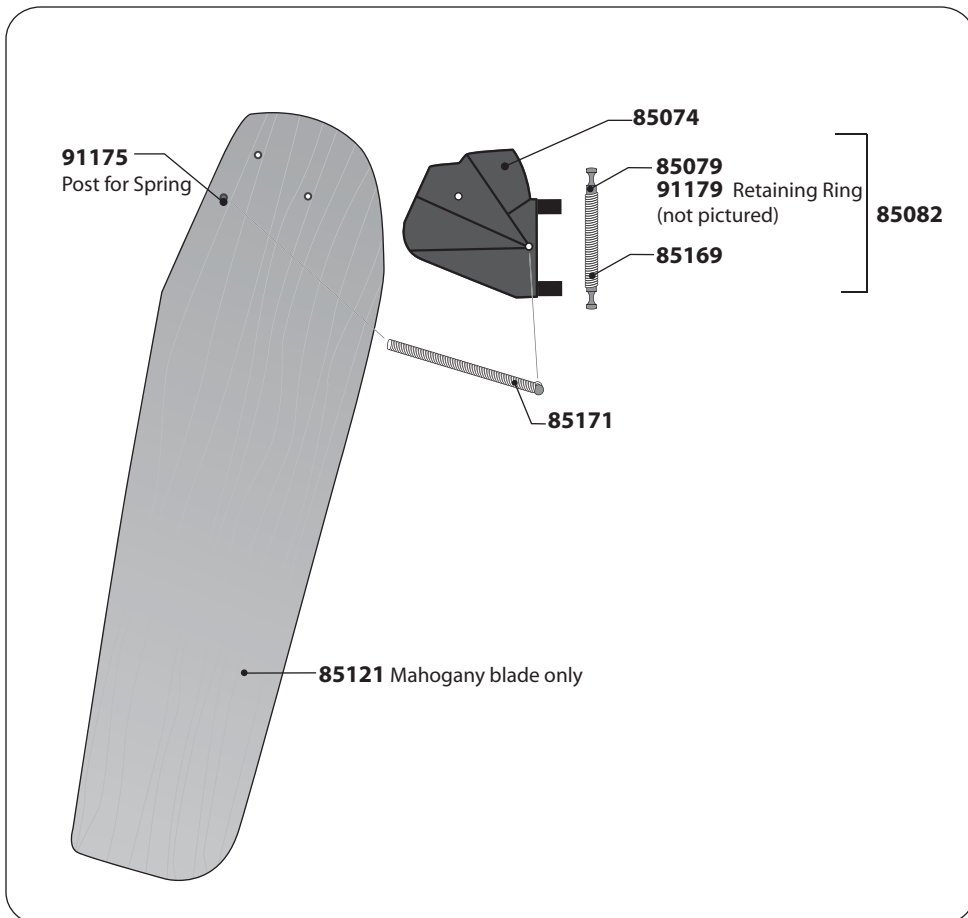
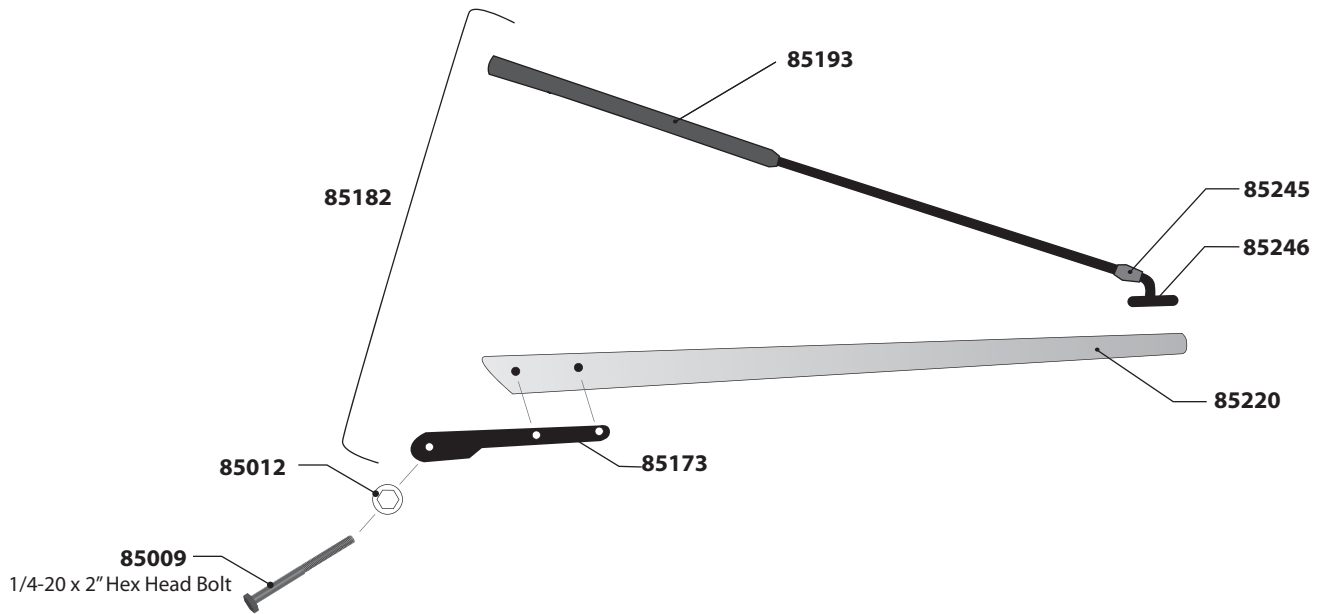
# Pico Current Rudder & Tiller



85103 - Complete Rudder with tiller and extension



# Pico Rudder and Tiller Assembly Pre 2008



85104 Rudder assembly  
Pre 2008



# Pico Technical Information

Hull Weight	154 lbs	60 kg
LOA	11.6 ft	1.4 m
Beam	4.8 ft	1.4 m
Draft	2.9 ft	0.8 m
Main Sail Area	64 sq ft	5.1 m sq
Jib Sail Area	1.8 sq ft	1.1 m sq

## Vanguard 15 Line Specifications

<u>Description</u>	<u>Diameter (in)</u>	<u>Diameter (mm)</u>	<u>Type</u>	<u>Length</u>	<u>Quantity</u>
Clew tie down	5/32 in	4mm	prestretch	1 ft	1
Cunningham	5/32 in	4mm	prestretch	4 ft	1
Daggerboard retainer	3/16 in	5mm	shockcord	3.5 ft	1
Hiking strap lifter	3/16 in	5mm	shockcord	3 ft	1
Jib Halyard	1/4 in	6mm	prestretch	16 ft	1
Outhaul	5/32 in	4mm	prestretch	12 ft	1
Outhaul retainer	3/16 in	5mm	shockcord	3.5 ft	1
Traveler	1/4 in	6mm	prestretch	4 ft	1
Vang	1/4 in	6mm	prestretch	9 ft	1
Mainsheet	3/8 in	9mm	Flair	32 ft	1
Jib Sheet	3/8 in	9mm	Flair	19 ft	1