

ZUMA

LaserPerformance NORTH AMERICA

300 Highpoint Avenue
Portsmouth, Rhode Island 02871
USA
t +1 800 966 SAIL
f +1 401 683 0990

LaserPerformance EUROPE

Station Works, Long Buckby
Northamptonshire NN6 7PF
United Kingdom
t +44 (0) 1327 841600
f +44 (0) 1327 841601

LaserPerformance ASIA

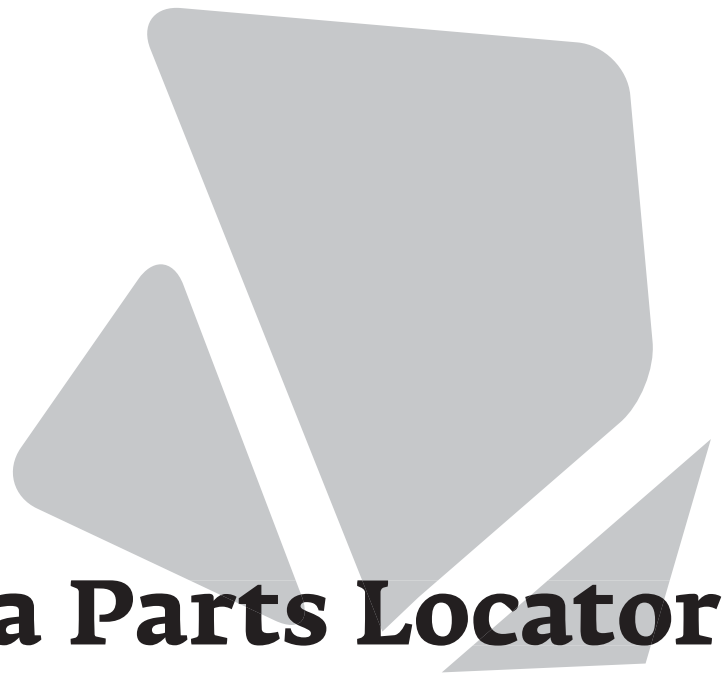
Room 3415
China Merchants Tower
Shun Tak Centre
No. 168-200 Connaught Road Central
Hong Kong
t +852 2902 2818
f +852 2587 7868

LaserPerformance MIDDLE EAST

po Box 18323
Jebel Ali Free Zone
Dubai, UAE
t +9714 881 7190
f +9714 881 7522

LASERPERFORMANCE.COM

All rights reserved. ©2009 LaserPerformance.
LaserPerformance and associated logos are
trademarks. Laser, SB3, Sunfish, and Dart are
trademarks used under license. LaserPerformance
reserves the right to make design and/or specifica-
tion changes to any of their products as part of
their continuous development program.

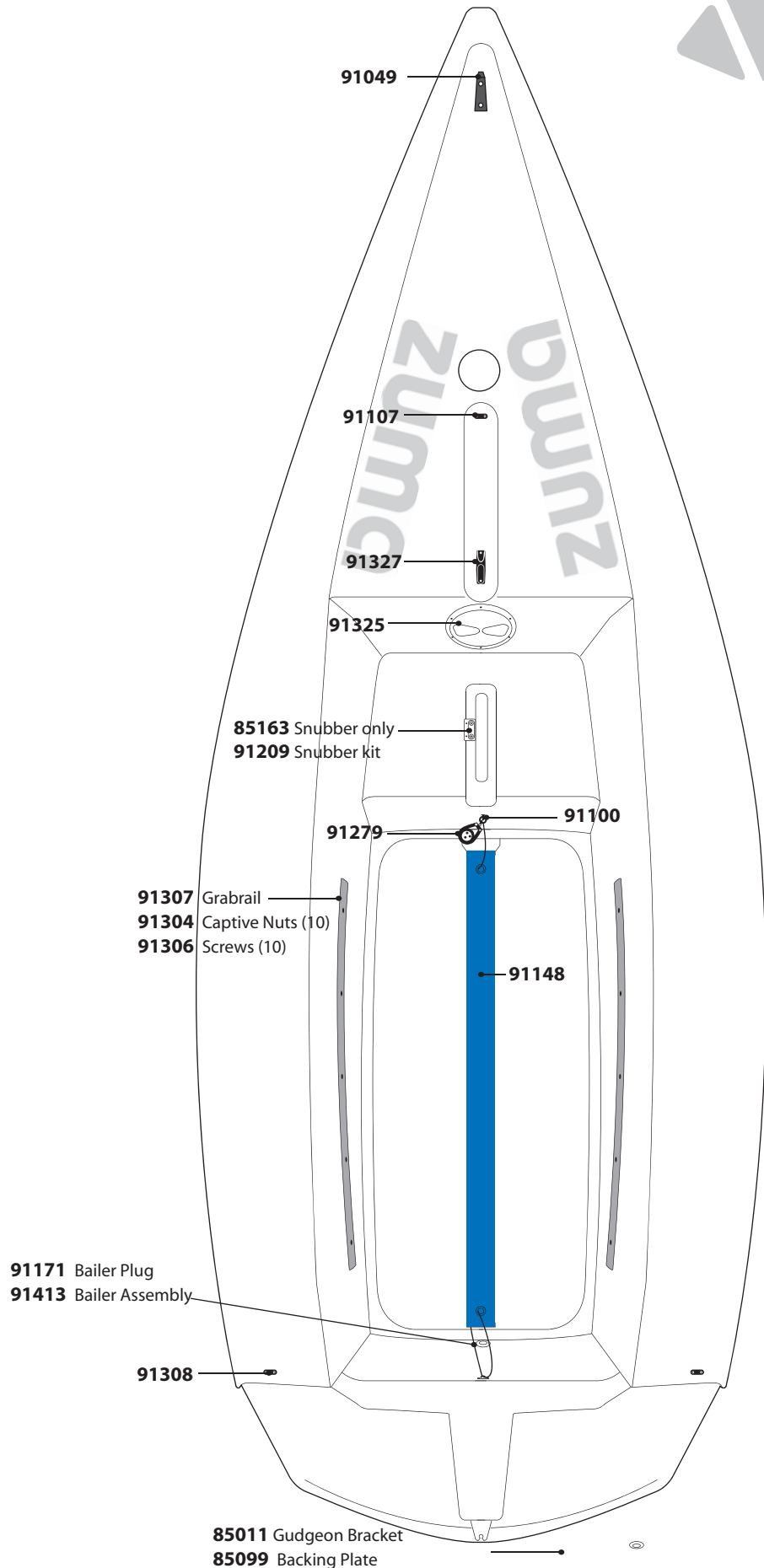


Zuma Parts Locator

LaserPerformance™



Zuma Hull and Deck

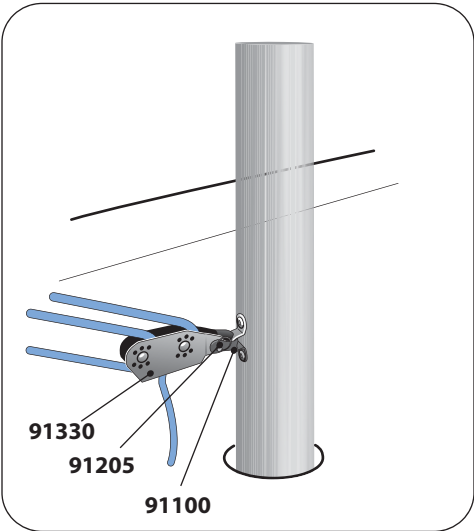
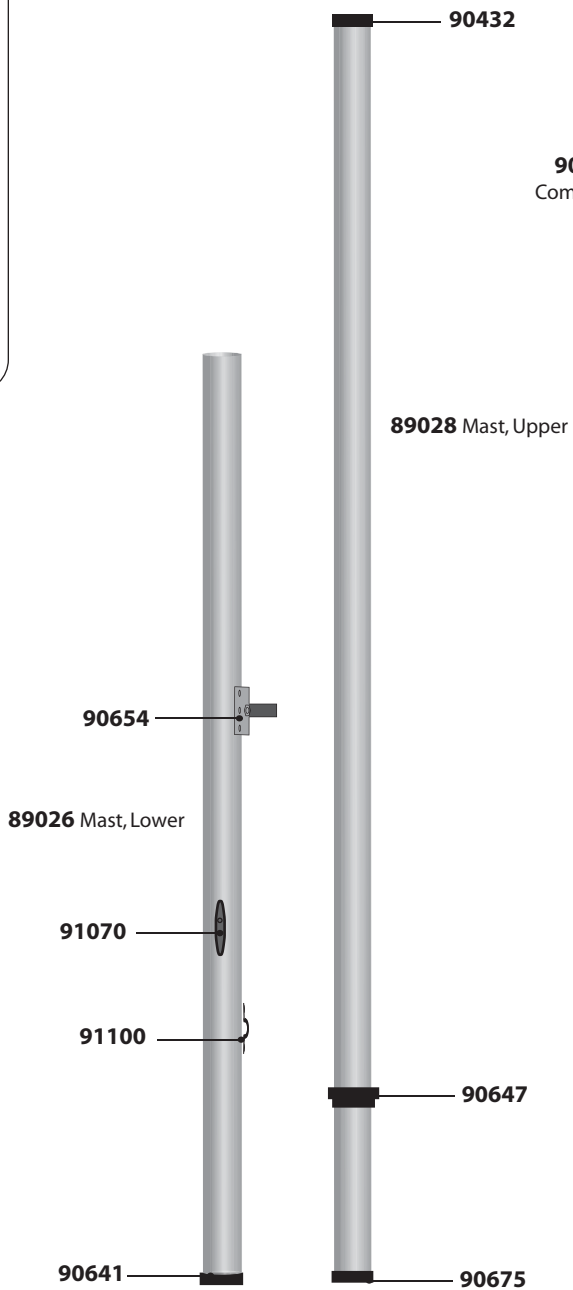
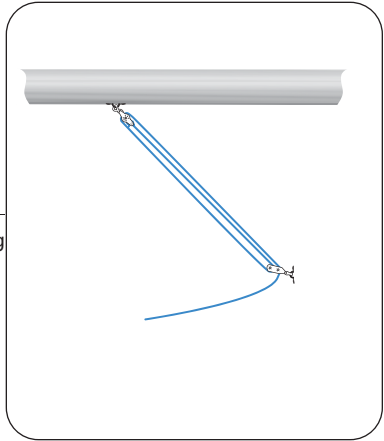
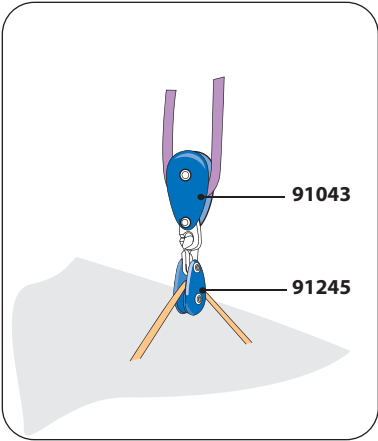
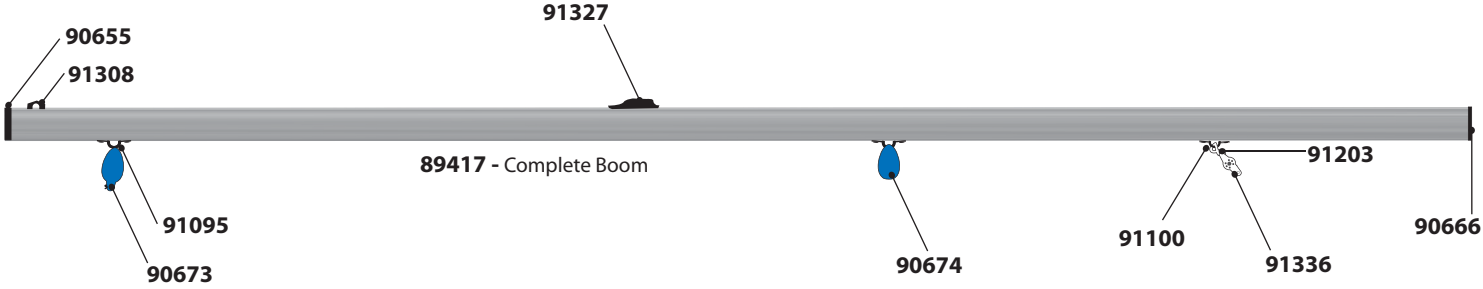


Drain Plugs

- 91090 Grey, Holt Allen
- 91085 Black, Beckson, CURRENT
- 91093 White, bayonette
- 91086 Black, RWO



Zuma Spars

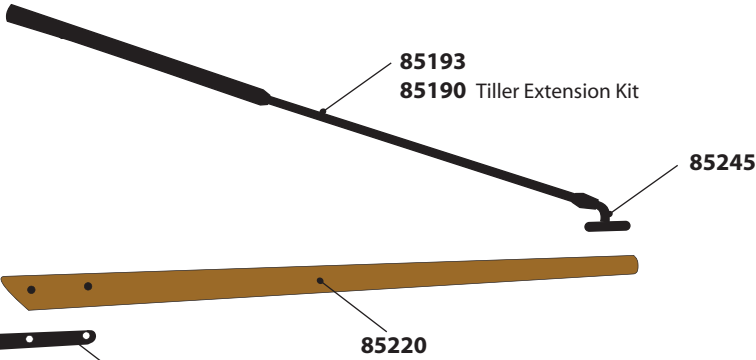




Zuma Blades

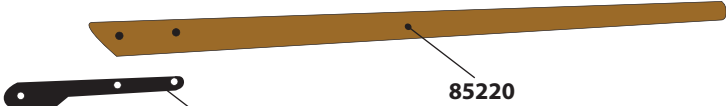


85104 Complete Rudder Assembly
85182 Complete Tiller Assembly with Extension



85193
85190 Tiller Extension Kit

85245
85036 Complete Daggerboard



85220



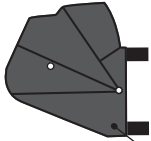
85173

85012

85009 Rudder Bolt

85121

85008 Pivot Bolt



91179 Retaining ring

85079 Pintle Pin

85169 Spring, compression post

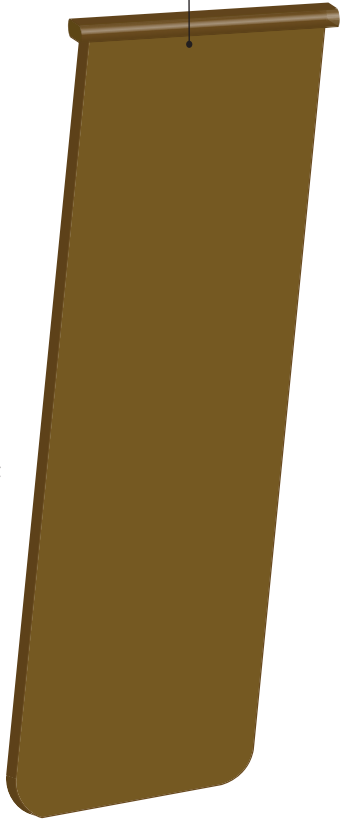
85074



91175 Post

85171 Spring (2)

85139 Rudder Conversion Kit





Zuma Technical Information

Hull Weight	130 lbs	58.97 KG
LOA	12.9 ft	3.93 m
Beam	5 ft	1.52 m
Draft	3.2 ft	1.03 m
Sail Area	65 sq ft	6.04 sq m

Zuma Line Specifications

<u>Description</u>	<u>Diameter (in)</u>	<u>Diameter (mm)</u>	<u>Type</u>	<u>Length</u>	<u>Quantity</u>
Mainsheet	3/8 in	8mm	Flair	35 ft	1
Cunningham	3/16 in	5mm prestretch		6 ft	1
Outhaul	3/16 in	5mm prestretch		8 ft	1
Daggerboard Retainer	3/16 in	5mm shockcord		5 ft	1
Clew Tie Down	5/32 in	4mm prestretch		2 ft	1
Traveller	3/16 in	5mm prestretch		5 ft	1
Vang	3/16 in	5mm prestretch		10 ft	1
Main Halyard	3/16 in	5mm prestretch		35 ft	1